



PRODUCT SPECIFICATIONS:

SPEEDALERT 18 RADAR MESSAGING SIGN – B UNIT

SpeedAlert Radar Message Sign

- **SpeedAlert 18 (SA18):** 18" x 28" full matrix
(SpeedAlert 24 (SA24) 24" x 60" full matrix also available – see separate SpeedAlert 24 Spec Sheet)
- Size and weight without battery
 - o 30"x20" x 2.74" (without YOUR SPEED sign), 29 lbs
- Full matrix display
- **Universal mounting system:** Attach to pole, trailer or vehicle hitch mount
- Radar: Adjustable sensitivity, K Band (24.15 GHz), FCC Certified, no license required, +-1 mph accuracy, 12 degree square pickup area, range: 1500+ ft., 5-105 mph (8-150 kph)
- Meets MUTCD Specifications

SpeedAlert Operation Modes

- **Message Mode:** Display one message, up to six screens
- **All Messages:** Sequence all messages in sign memory
- **Speed Display:** Display approaching vehicle's speed
- **Dependent Message:** Display targeted messages based upon vehicle's speed, up to six screens per message
- Changeable speed limit sign
- **Stealth or Display Off:** Collect traffic speed and volume data with no LED display, 'YOUR SPEED' sign easily removed
- **Schedule:** Change message and/or mode up to 13 times/day
- Collect vehicle volume by speed and time data in all modes
- Sign returns to last mode and configuration when power applied

SpeedAlert Programming Methods

On-Board Programming (standard on all units)

- Select operation mode
- Set Speed Limit
- Select message from sign's memory

ATS PC Sign Manager

Local Management using PC with USB connection standard with all signs, Bluetooth optional

- PC-based client software
- Connect to sign via USB or Bluetooth (optional)

ATS Android App: Local Management (Optional):

- Android OS wireless Bluetooth control local to unit
- Android device can be phone or WiFi device with Bluetooth

Local Management Features – PC and Android (Optional):

- Create and change messages, modes and settings
- Local data retrieval and management
- All traffic data and messages saved for online management and backup
 - o Retrieve data and save to TrafficCloud at no cost, generate limited reports online from hosted data. Extended reports available with TrafficCloud subscription
 - o Create message and save to TrafficCloud library, messages available on all ATS Android app or PC Sign Manager devices with TrafficCloud subscription

SpeedAlert Messages

- **SA18:** 1-2 line messages
 - o **1 line:** 10 1/4" H x 5.75" W characters, four per line
 - o **2 lines:** 7" H x 4" W characters, six per line
- Up to 6 screens per message
- Full graphics capability, each LED individually controllable
- Variable display time, flash and reverse rates for each screen
- Scroll through 25 user defined onboard messages using selector buttons built into sign, no training necessary
- Ability to sequence messages for up to 144 screen animation
- Message power efficiency calculator in software
- Actual sign preview and unlimited message storage using TrafficCloud Web-based Remote Management Service, ATS PC Sign Manager or ATS Android app
- Messages on sign retained when power removed
- Sign returns to last message when power applied
- Conditional Messaging – Accept local or remote data and dynamically display messages driven off data, and/or incorporate into messages

SpeedAlert Programming

Configure the following parameters via TrafficCloud Web-based Management System, ATS Android app or PC Sign Manager

- **Messages**
 - o Create and load message using 'Display Now' feature
 - o Load 24 messages into sign's memory
 - o Scroll messages in sign's memory
 - o Display signs stored in ATS Android app or PC Sign Manager
- **Speeds**
 - o Speed limit
 - o Maximum speed displayed
 - o Display on/off/specific mph activation
 - o Radar sensitivity (range)
 - o **Speed limit sign operation:** Change speed limit up to 13 times per day schedule
 - o Metric capable display with hundreds digit
 - o Set time via PC, Android or sync with cell signal (TrafficCloud)
 - o Sign firmware field and remotely upgradeable

Speed-Dependent Message System

- Different messages for each of five speed ranges
 - o No cars
 - o Cars <= speed limit
 - o Cars > Speed Limit, < x
 - o Cars > x < upper speed
 - o Cars > upper speed
- Ranges dependent on speed limit setting only, so simple speed limit change adjusts all dependent message ranges
- Independent maximum speed displayed setting
- Speed dependent messages can be any SA18 messages, including:
 - o 'YOUR SPEED' screen, 18" speed display digits
 - o 'SPEED LIMIT' screen, 18" speed limit display digits

Scheduling

- **All Days, Multiple Messages:** Schedule up to 50 different messages or modes for up to 13 different time periods in a 24 hour day, repeats in each 24 hour cycle
- **Seven Day, Multiple Messages:** Schedule different messages or modes for up to 13 different time periods in each 24 hour day for each of seven days, repeats in each seven day cycle; up to 50 different messages can be used over the 7-day period
- All messages and scheduling reside on the sign – no external hardware necessary
- Program schedule via ATS Android app or ATS PC Sign Manager, save to load onto multiple signs
- Internal real time clock, time and schedule maintained with power disconnected

SpeedAlert Data Logging Option

- **Local Data Collection:** ATS Android app or PC Sign Manager
 - o All data hosted in online database for anywhere access
 - o Download traffic data from sign with USB or Bluetooth connection
 - o 30 days of high volume data minimum storage on sign, Data collection rolls over when memory reaches capacity

- **Reports, Local Data Collection:**
 - o Summary page with average and 85th percentile speed, average daily volume, 10 mph pace speed, high and low speed, display mode
 - o Traffic counts by speed range, full day and time of day over selected date range with 5 mph resolution
 - o Vehicle counts by time range per day by hour
 - o Vehicle counts by speed range and time of day
- Reports, automatic data collection (TraffiCloud Web-based Management Services)
 - o Enhanced Summary with detail charts and graphs
 - o Compliance by speed range with 3 ranges
 - o Enforcement report showing highest speed and volume violators over selected locations
 - o Effectiveness report showing program performance

Construction

- ‘YOUR SPEED’ sign
 - o High intensity prismatic reflective background
 - o 24” x 8”
 - o 3.5” high MUTCD ‘C’ letters
- **LED Pixels:** Amber 595nm, 30 degree viewing angle, 100,000 hours, black background, (MUTCD compliant)
- **LED Density:** 0.6”x1” pitch, 18 x 48 pixel matrix
- **Radar:** K Band (24.15 GHz), FCC Certified, no license required, +-1 mph accuracy, 12 degree square pickup area, range: 1500+ ft., 5-105 mph (8-150 kph)
- Conformal coating on all circuit boards
- Integral handle
- Weatherproof, NEMA 4, IP65 sealed
- ¼” Tinted, non-glare, UV stabilized polycarbonate face
- Drip proof, vented battery compartments (2)
- Aluminium chassis, 14 ga, white powder coat finish, black powder coat front for maximum contrast for display visibility
- Tamper-resistant mounting hardware system, hardware, controls and battery access secured behind enclosure lock
- -40 to 160 F operating temperature range, 95% humidity non-condensing (-20F for Bluetooth communication, 5F for internal camera)

SpeedAlert Power

- **Power Input, Max:** 12 VDC, 3 A max, 36 W max
- Power saving circuitry and automatic dimming for ambient light conditions with adjustable dimming range and manual display brightness override
- **SpeedAlert 18 Power Options:**
 - o 16Ah LFP battery with built-in short circuit and reverse polarity protection circuitry; 1.5A 12.8 VDC output, 120VAC input automatic charger; Capacity for up to 2 batteries in unit for extended portable use
 - o Solar panel assist: 40W or 60W solar panel and bracket, Solar controller panel with 26Ah lead acid battery; 6A 120VAC automatic charger optional
 - o 100-220VAC AC power supply (6A 12VDC) in external NEMA 4 enclosure
 - o ATS 5 Trailer (batteries with optional solar assist: 235 or 470 Ah battery system, 40 or 60W solar option)
 - o ATS 3 Trailer, 100Ah battery and 40W solar option
- Battery level indicator on sign, ATS Android app, ATS PC Sign Manager or TraffiCloud Remote Management
- Auto recovery for battery with solar

Standard SpeedAlert System Components

- SpeedAlert Radar Message Display SA18
- Tamper resistant mounting plate and hardware
- Key
- On-board controls
- ATS PC Sign Manager software with USB cable

Optional SpeedAlert Components and Features

- ATS Android app, Bluetooth connectivity
- Padded carrying case
- Extra mounting brackets
- Speed activated relay closure
 - o 7A, 30VDC or 7A 120VAC max, 100mA 5VDC | min, no power supplied, simply a contact closure
 - o Trigger relay at specified speed with configurable duration from 1 to 10 seconds per radar event
- **Tamper Alarm:** ATS 5 or ATS 3 Trailer

Compatible with these ATS Products

Engineered and manufactured in the United States of America

- 1 & 2. SpeedAlert 18 Pole Mount
3. SpeedAlert 18 on ATS 5 Trailer
4. SpeedAlert 18 with Full Wrap YOUR SPEED Sign (White or Red)



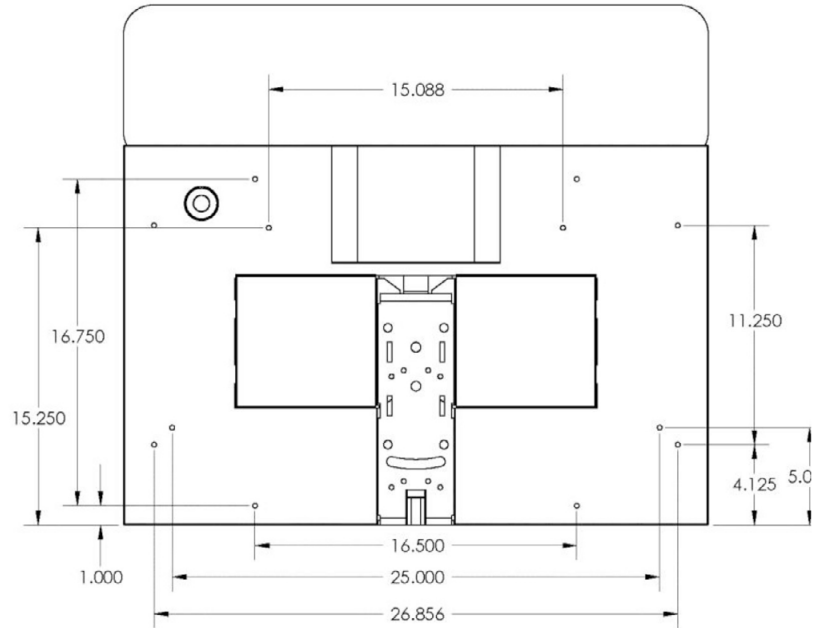
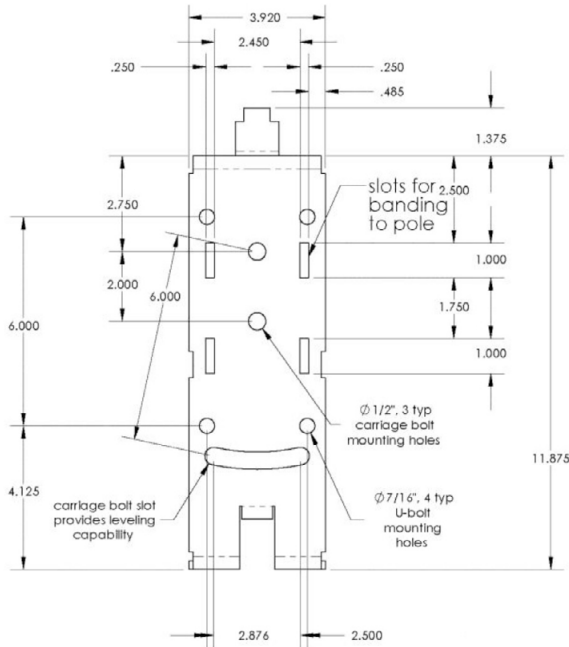
SpeedAlert Mounting Options

- Pole mount standard with included bracket, hardware
- NCHRP 350 approved on 4" pole (Letter SS-135)
- ATS 5 Trailer (refer to ATS 5 specifications for more information)
- ATS 3 Trailer (refer to ATS 3 specifications for more info)
- **Vehicle Hitch Mount**
 - o Mounts sign 30" to bottom of sign from receiver tube (final height dependent on receiver height)
 - o Fits 1 ¼" or 2" receiver, adapter included, ½" hitch pin
 - o Locking rotation adjustment on 15 degree increments over 180 degrees, +/- 5 degrees tilt
 - o White powder coat finish with rear reflector
- **Standard Folding Portable Post**
 - o Folds for easy storage and portability
 - o **IA18:** 60" to 73" to bottom, 80" to 93" to top of sign depending on leg positions
- Mounting provisions for permanent applications with ¼"-20 threaded holes

Warranty

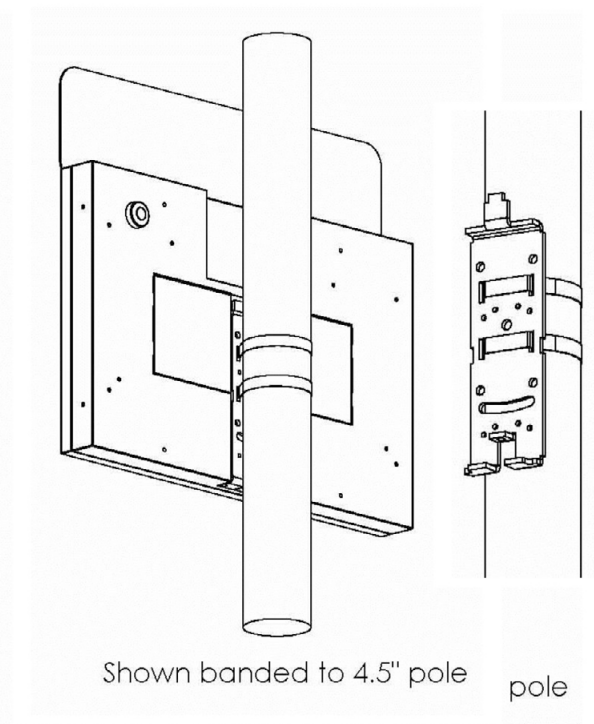
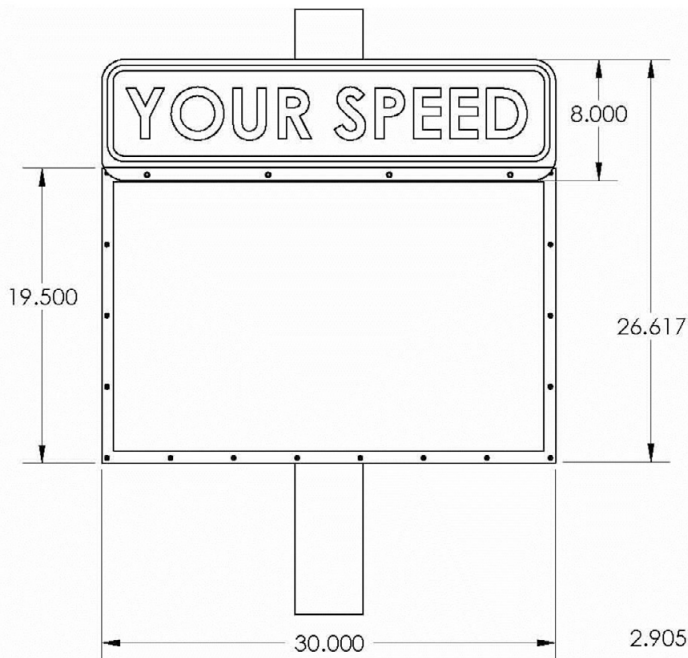
- 1-year warranty (three months on Li-Ion batteries)
 - o Product software upgrades free

SpeedAlert 18 Mounting Bracket and Mounting Holes



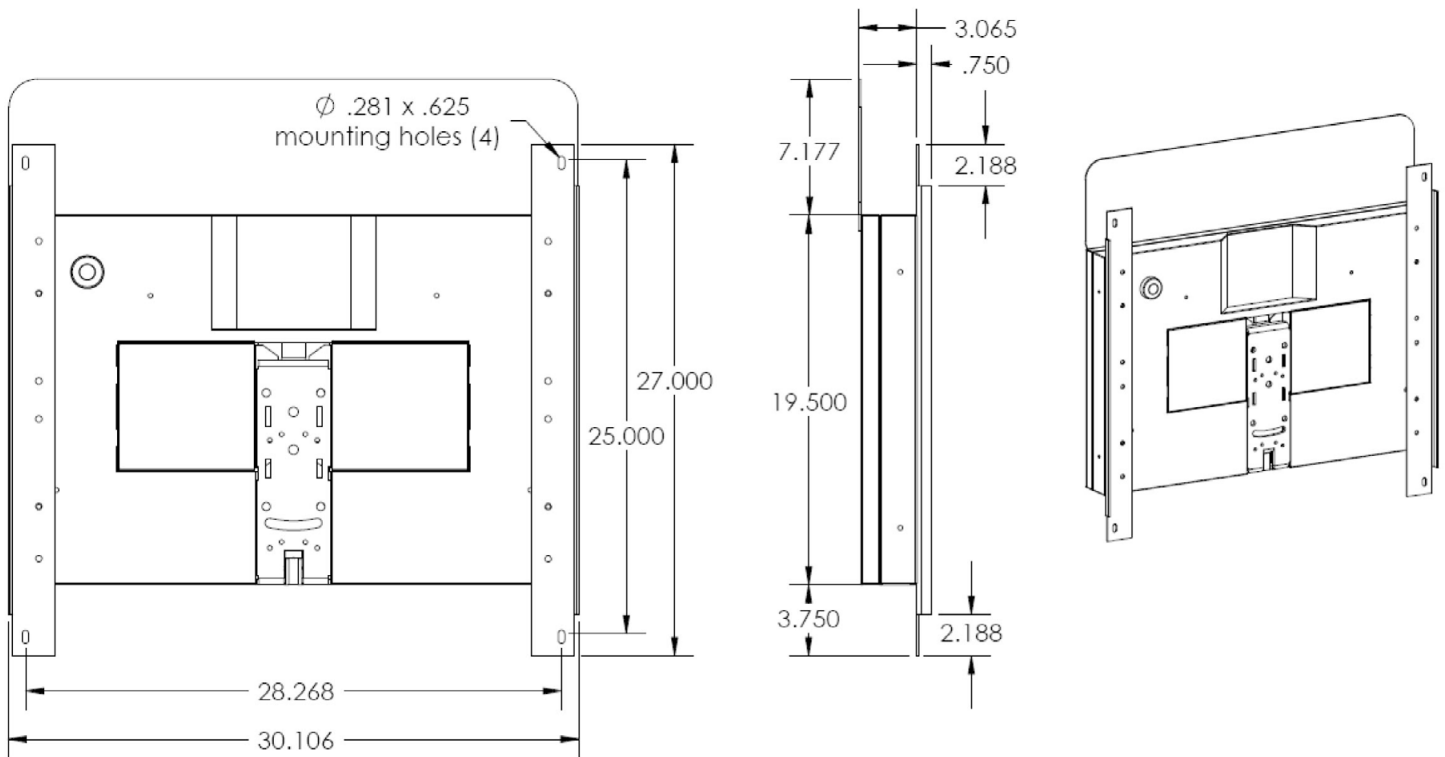
Additional Mounting Provisions:
1/4-20 thread, captive nuts

SpeedAlert 18 Dimensions



Shown banded to 4.5" pole pole

SpeedAlert 18 with Trailer Mounting Brackets Installed – for Installation on Existing Trailers for Trade In



All Traffic Solutions 12950 Worldgate Drive, Suite 310, Herndon, VA 20170

Phone 866.366.6602 | sales@alltrafficsolutions.com | AllTrafficSolutions.com

©All Traffic Solutions

TraffiCloud leverages our patented technology (US Patents 8,417,442; 8,755,990; 9,070,287; 9,411,893) to deliver unique cloud-based management, features and functionality.