

# INSTALERT 24 VARIABLE MESSAGE SIGN



## InstAlert Variable Message Sign

- **Open dimensions:** 4.1 x 71.1 x 152.4 cm
- **Folded dimensions:** 9.3 x 71.1 x 76.2 cm
- Folded sign fits in police cruiser trunk, SUV hatch
- **Full matrix display:** 26 x 96 pixels, 1.5 x 2.5 cm pitch
- **LED pixels:** Amber 595nm, 0.52 rad viewing angle, 100,000 hrs, black background, MUTCD compliant color, universal display modules
- Meets MUTCD Specifications
- On-board message selector buttons to select between 25 internal messages and modes with anti-tamper lockout
- Local and remote management and monitoring options
- Sign has integral active cell modem allowing TrafficCloud Web-Based Management Services for remote management
- Integral camera for awareness and alert driven images
  - 640 x 480 daylight images
- Power saving circuitry and automatic dimming for ambient light conditions with adjustable dimming range and manual display brightness override
- Conformal coating on all circuit boards
- Integral case handles and nylon web handles
- **Weight:** 19.5 kg
- Weatherproof, inherently sealed design
- 0.3 cm tinted, non-glare, UV stabilized polycarbonate face
- Entire face removable for service
- Aluminum chassis, 12 ga., with black powder coat finish
- Mounting provisions for permanent applications, (12)¼-20 threaded holes
- -40° C to 70° C operating temperature range, 95% humidity, non-condensing (-29° C for Bluetooth comm.)
- Withstands 113 kph winds

## InstAlert Operation Modes

- **Message Mode:** Display one message, up to 6 screens
- **All Messages:** Sequence all messages in sign memory
- **Schedule:** Change message and/or mode up to 13 times/day
- Speed based modes available in the SpeedAlert 24 configuration
- Sign returns to last configuration when power applied

## InstAlert Messages

- **1-3 line messages**
  - **1 line:** 61 H x 31.8 cm W characters, 4 per line
  - **2 lines:** 26 H x 14.6 cm W characters, 8 per line
  - **3 lines:** 17.8 H x 10.2 cm W characters, 12 per line
  - **2 lines:** (1) 17.8 cm char, 12/line, (1) 26 cm char, 8/line
- Up to 6 screens per message
- Message power efficiency calculator in software
- Variable display time, flash and reverse rates for each screen
- Full graphics capability, each LED individually controllable, programmable from PC, PDA or remotely
- Ability to link multiple messages for up to 144 screen animation
- Scroll through 25 user defined onboard messages using selector buttons built into sign, no training necessary; buttons on unit become inactive after timeout to prevent tampering, reactivate by reapplying power
- Unlimited message storage on PC, Android device or remote server
- Messages on sign do not get erased when power removed
- Sign returns to last message when power applied
- Actual sign preview on PC, Android or TrafficCloud

## InstAlert Programming

**Program and monitor the sign three ways:** On-Board Programming (standard on all units)

- Select message from sign's memory
- Select operation mode

## TrafficCloud Web-Based Management Services using integral cell modem for remote management

*(See TrafficCloud specification for more information):*

- Turnkey system. Remote sign connection functional upon ship. Unit connects to TrafficCloud system when sign powered
- Fully hosted web-based management system
  - Internet connected computer with browser provides anywhere access on all browser capable, connected devices
  - No IT involvement or support necessary. System bypasses customer network eliminating access issues
  - Cellular provided by All Traffic Solutions, no separate cellular charges
  - Hosted database requires no setup or maintenance by customer

- **Apps:** All apps included in Message Suite:
  - Equipment Management: Change messages and settings remotely, monitor sign online
  - Image Management: Online image retrieval and management of images from internal camera
- **Alerts:** Notifications for low battery and tampering, alerts can include images
- **Mapping:** Visually manage equipment and data
- Premier Care Perpetual Warranty

## All Traffic Solutions PC Sign Manager

Local Management using PC with USB connection standard with all signs.

- PC based client software
- Connect to sign via USB or Bluetooth (Optional)
- **Android App:** Local Management (Optional):
  - Android OS wireless Bluetooth control local to unit
  - Android device can be phone or WiFi device with Bluetooth
- **Local Management Features:**
  - Create and change messages, modes and settings Local image retrieval and management from internal camera
  - Manage all unit settings, automatic sync with TrafficCloud Web Based Management
  - All traffic data and messages can be saved for online management and backup with optional TrafficCloud Message Suite
  - Create message and save to TrafficCloud library, messages available on All Traffic Solutions Android App or PC Sign Manager devices
  - Sign firmware field and remotely upgradeable

## InstAlert Settings

- Configure the following parameters via PC, Android or TrafficCloud Web-Based Management System:
  - Load instaMESSAGE using "Display Now" feature
  - Load 24 messages into sign's memory
  - Scroll messages in sign's memory
  - Display signs from server or local device memory
  - Set sign mode
  - Upload schedule
  - Set automatic dimming range minimum and maximum levels or manually override display brightness
- Internal real time clock, time maintained with power disconnected
- Set time via local device or sync with cell signal

## Scheduling

- All days, multiple messages: schedule up to 50 different messages or modes for up to 13 different time periods in a 24 hour day, repeats in each
- 24 hour cycle
- **7 day, multiple messages:** schedule different messages or modes for up to 13 different time periods in each 24 hour day for each of 7 days, repeats in each 7 day cycle; up to 50 different messages can be used over the 7 day period
- All messages and scheduling reside on the sign – no external hardware necessary
- Program schedule via TrafficCloud Web, All Traffic Solutions Android App or PC Sign Manager, Save to load onto multiple signs
- Camera activation controlled in schedule windows
- Internal real time clock, time and schedule maintained with power disconnected

## Data Logging Option for InstAlert units with the optional internal radar option – SpeedAlert 24

- Upgrade to the SpeedAlert 24, adding traffic radar to the InstAlert to enable collection of traffic data and speed display functionality
- See the SpeedAlert 24 Specification Sheet

## InstAlert Sign Power

- **Power Input, Max:** 12VDC, 8A max, 96 W max; 4A, 48W typical
- Power saving circuitry and automatic dimming for ambient light conditions with adjustable dimming range and manual display brightness override
- **Power:** 12VDC locking plug, 30A capacity compatible power supplies includes vehicles' power port, with optional adapter and Trailer wiring adapter for hitch mount
  - POWERcase portable power supply, PC26 or PC36
  - 120 or 220 VAC Power supply in NEMA 4 enclosure
  - ATS 5 Trailer (batteries with optional solar assist 235 or 470 Ah, 60W solar option)
  - Pole battery box 156Ah battery with solar assist
  - Battery level indicator on sign, Android App, PC Sign Manager or TrafficCloud Remote Management
  - Auto recovery for battery with solar
  - Power cable customer replaceable, gold plated connector contacts, high visibility yellow cable

## Standard InstAlert System Components

- InstAlert Variable Message Sign IA24
- PC Sign Manger software with USB cable
- On-Board Controls

## InstAlert Mounting Options

- ATS-5 Trailer (*refer to ATS-5 specifications for more info*)
- Options using the InstAlert mounting bracket
- **Hitch mount**
  - Sign height: 63.5 cm to bottom, 134.6 cm to top of sign from receiver tube (final height dependent on receiver height, flip mounting bracket for an additional 30.5 cm)
  - Fit 1s 3.2 cm or 5.1 cm receiver, adapter included 1.3 cm hitch pin
  - Locking rotation adjustment on 0.26 rad increments over 3.14 rad +/- 0.1 rad tilt to adjust LED aim for maximum brightness
  - White powder coat finish with rear reflector
  - Not intended for operation above 24 KMPH
- **Telescoping Hitch Mount**
  - All features of standard hitch mount, plus
  - Sign height: 134.6 cm to bottom, 205.74 cm to top of sign from receiver tube (final height dependent on receiver height, flip mounting bracket for an additional 30.5 cm)
- **Standard Folding Portable Post**
  - Folds for easy storage and portability
  - 106.7 to 139.7 cm to bottom, 177.8 to 210.8 cm to top of sign depending on leg positions, rotate bracket for additional 30.5 cm

- **Optional InstAlert Sign Components and Features**
- TrafficCloud Web-Based Remote Management Service
- Android App, Bluetooth connectivity
- Padded carrying case with accessory pockets, shoulder strap
- **Mounting bracket**
  - Mounts to pole or any surface using any hardware, no tools required
  - Tamper resistant hardware compartment
  - Rotate bracket for additional 30.5 cm of mounting height
  - Aluminum with black powder coat
  - Sign can be locked into bracket
  - Bolt sign to mounting bracket for additional security
  - Mounting hardware supplied
- Internal radar allowing for speed display, speed dependent messaging and speed and volume data collection - SpeedAlert 24
- Drive Times sensor-free Time to Destination Service – Travel time data sent to sign every minute
- **Warranty**
  - 1-year warranty (three months on Li-Ion batteries)
- **PremierCare**
  - Extended Warranty
  - Product software upgrades free
  - Vandalism and accidental damage (non-warranty) at 50% off list price

## Compatible with these All Traffic Solutions Products

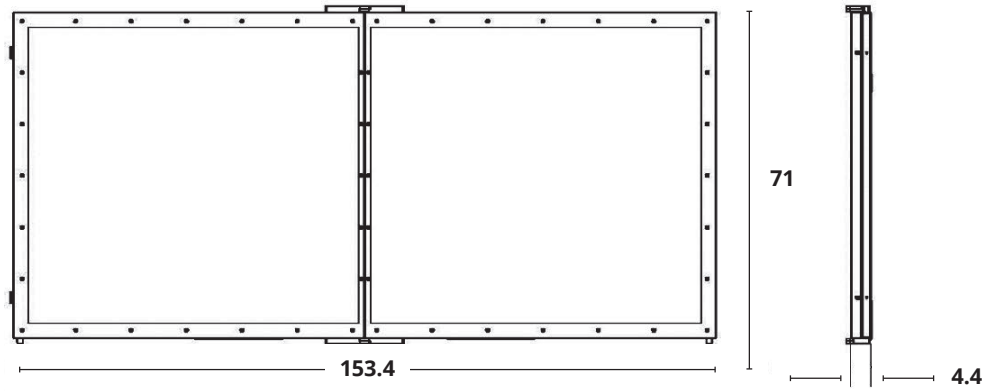


InstAlert 24 on ATS-5

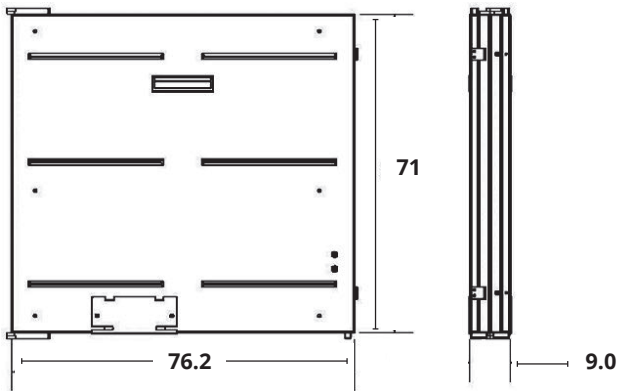


InstAlert 24 on Portable Post

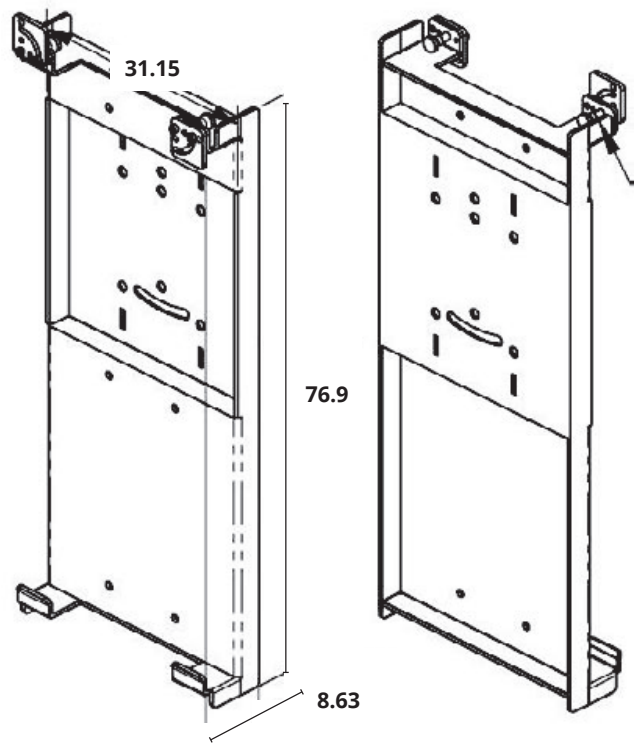
Dimensions: Open



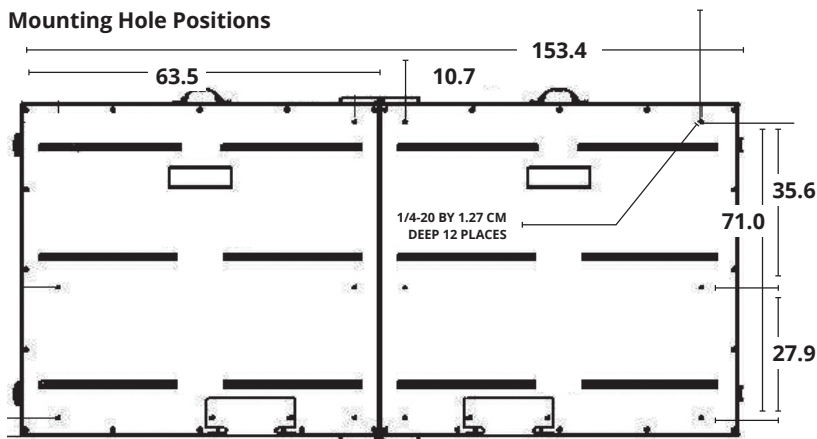
Dimensions: Folded



Dimensions: Mounting Plate



Mounting Hole Positions



FOR MORE INFORMATION VISIT US ONLINE AT [TRAFFICLOGIX.COM](http://TRAFFICLOGIX.COM)

[INFO@TRAFFICLOGIX.COM](mailto:INFO@TRAFFICLOGIX.COM)

CALL US AT 866.915.644

TrafficLogix is an exclusive Canadian distributor for All Traffic Solutions. All Traffic Solutions was founded in 2000 and is a leading provider of traffic safety and public messaging solutions.

Traffic Logix™ Corp. | 3 Harriet Lane | Spring Valley | New York | 10977 | 1.866.915.6449 | ©2021 Traffic Logix™ Corporation