

SPEEDALERT 24 RADAR MESSAGE SIGN



SpeedAlert Radar Message Sign

- SpeedAlert 24 (SA24): 61 x 152.4 cm full matrix
- **Size and weight without battery:**
 - Folds to fit in police cruiser trunk, SUV
 - **Weight without battery:** 19.5 kg
 - **Open:** 71.1 x 152.4 x 4.1 cm
 - **Folded dimensions:** 71.1 x 76.2 x 8.3 cm
- Full matrix display
- **Universal mounting system:** Attach to pole, trailer or vehicle hitch mount
- **Integral camera for awareness and alert triggered images:** 640 x 480 pixel daylight images
- Internal K band radar with adjustable sensitivity
- Power saving circuitry and automatic dimming for ambient light conditions with adjustable dimming range and manual display brightness override
- Meets MUTCD Specifications

SpeedAlert Operation Modes

- **Message Mode:** Display one message, up to 6 screens
- **All Messages:** Sequence all messages in sign memory
- **Speed Display:** Display approaching vehicle's speed with "YOUR SPEED" LED message
- **Dependent Message:** Display targeted messages based upon approaching vehicle's speed
- Changeable speed limit sign
- **Stealth or Display Off:** Collect traffic speed and volume data with no display
- **Schedule:** Change message and/or mode up to 13 times/day
- Collect vehicle volume by speed and time data in all modes
- Sign returns to last configuration when power applied

SpeedAlert Messages

- SA24: 1-3 line messages
 - **1 line:** 61 cm H x 31.8 cm W characters, 4 per line
 - **2 line:** 26 cm H x 14.6 cm W characters, 8 per line
 - **3 lines:** 17.8 cm H x 10.2 cm W characters, 12 per line
 - **2 lines:** (1) 17.8 cm char, 12/line, (1) 26 cm char, 8/line
- Up to 6 screens per message

- Full graphics capability, each LED individually controllable
- Variable display time, flash and reverse rates for each screen
- Scroll through 25 user defined onboard messages using selector buttons built into sign, no training necessary
- Ability to sequence messages for up to 144 screen animation
- Message power efficiency calculator in software
- Actual sign preview and unlimited message storage using TrafficCloud™ Web-based Remote Management Service, All Traffic Solutions PC Sign Manager or Android App
- Messages on sign retained when power removed
- Sign returns to last message when power applied
- Conditional Messaging – Accept local or remote data and dynamically display messages driven off data, and/or incorporate into messages

SpeedAlert Programming Methods

On-Board Programming (standard on all units)

- Select message from sign's memory
- Select operation mode and speed limit
- Buttons time out to prevent tampering
- TrafficCloud Web-based Remote Management Services using integral cell modem for remote management (*See TrafficCloud Specification for more information*)
- Turnkey system. Remote connectivity functional upon ship. Unit connects to TrafficCloud Service when sign powered
- Fully hosted web-based management system
 - Internet connected computer with browser provides anywhere access on all connected devices with browser
 - No IT involvement or support necessary. System bypasses customer network eliminating access issues
 - Cellular provided by All Traffic Solutions, no separate cellular charges
 - Hosted database requires no setup or maintenance by customer

Apps – All apps included Traffic Suite:

- **Equipment Management:** Online sign management - Change messages and settings remotely
- **Reporting:** Online data retrieval, management and analysis, Enhanced report generation
- **Image Management:** Online image retrieval and management of images from sign's internal camera
- **Alerts:** Notifications for low battery and tampering, high speed and congestion; Alerts can include images
- **Mapping:** Visually manage equipment and data
- PremierCare perpetual warranty

All Traffic Solutions PC Sign Manager

Local Management using PC with USB connection standard with all signs, Bluetooth optional

- PC based client software
- Connect to sign via USB or Bluetooth (optional)
- **All Traffic Solutions Android App: Local Management (Optional):**
- Android OS wireless Bluetooth control local to unit
- Android device can be phone or WiFi device with Bluetooth
- **Local Management Features: (PC and Android)**
- Create and change messages, modes and settings
- Local data retrieval and management

- Local image retrieval and management from sign's internal camera
- Manage all unit settings, automatic sync with TrafficCloud Web-based Remote Management Service if subscribed
- All traffic data and messages saved for online management and backup
 - Retrieve data and save to TrafficCloud at no cost, generate limited reports online from hosted data. Extended reports available with TrafficCloud subscription
 - Create message and save to TrafficCloud library, messages available on all Android App or PC Sign Manager devices with TrafficCloud subscription

SpeedAlert Programming

Configure the following parameters via TrafficCloud Web-based Management System, All Traffic Solutions Android app or PC Sign Manager

- **Messages**
 - Create and load message using 'Display Now' feature
 - Load 24 messages into sign's memory
 - Scroll messages in sign's memory
 - Display signs stored in TrafficCloud Web, All Traffic Solutions Android app or PC Sign Manager

Compatible with these All Traffic Solutions Products



SpeedAlert 24 on Portable Post



SpeedAlert 24 on Hitch Mount



SpeedAlert Folding

- **Speeds**
 - Speed limit
 - Maximum speed displayed
 - Display on/off/specific mph activation
 - Radar sensitivity (range)
- **Speed limit sign operation:** Change speed limit up to 13 times per day schedule
 - Metric capable display with hundreds digit
 - Set time via PC, Android or sync with cell signal (TraffiCloud)
 - Sign firmware field and remotely upgradeable

Speed Dependent Message System

- Different messages for each of five speed ranges
 - No cars
 - Cars \leq speed limit
 - Cars $>$ Speed Limit, $< x$
 - Cars $> x <$ upper speed
 - Cars $>$ upper speed
- Ranges dependent on speed limit setting only, so simple speed limit change adjusts all dependent message ranges
- Independent maximum speed displayed setting
- Speed dependent messages can be any SA24 messages, including:
 - 'YOUR SPEED' screen, 61 cm speed display digits
 - 'SPEED LIMIT' screen, 61 cm speed limit display digits

Scheduling

- **All Days, Multiple Messages:** Schedule up to 50 different messages or modes for up to 13 different time periods in a 24 hour day, repeats in each 24 hour cycle
- **Seven Day, multiple messages:** schedule different messages or modes for up to 13 different time periods in each 24 hour day for each of seven days, repeats in each seven day cycle; up to 50 different messages can be used over the seven day period

- All messages and scheduling reside on the sign – no external hardware necessary
- Program schedule via TraffiCloud Web, All Traffic Solutions Android app or PC Sign Manager, Save to load onto multiple signs
- Camera activation controlled in schedule windows
- Internal real time clock, time and schedule maintained with power disconnected

SpeedAlert Data Logging Option

- Traffic reports generated using TraffiCloud Web-based Reporting app
- Collect data automatically with TraffiCloud Remote Management or locally with All Traffic Solutions Android app or PC Sign Manager
- Reports include tables and charts to address all constituents with the most applicable data presentation
- All reports exportable to excel, csv and pdf
- Automatic Data Collection – TraffiCloud Web
 - Data retrieval every 15 minutes – near real time reporting, memory never full
 - All data in one database for analysis filtered by location, date and time
 - Access reports from interactive map view by location
- **Local Data Collection:** All Traffic Solutions Android app or PC Sign Manager
 - All data hosted in online database for anywhere access
 - Download traffic data from sign with USB or Bluetooth connection
 - 30 days of high volume data minimum storage on sign, Data collection rolls over when memory reaches capacity
- **Reports, Local Data Collection:**
 - Summary page with average and 85th percentile speed, average daily volume, 16 KPH pace speed, high and low speed, display mode
 - Traffic counts by speed range, full day and time of day over selected date range with 8 KPH resolution

- o Vehicle counts by time range per day by hour
- o Vehicle counts by speed range and time of day
- **Reports, automatic data collection:** (TraffiCloud Web-based Management Services)
 - o Enhanced Summary with detail charts and graphs
 - o Compliance by speed range with 3 ranges
 - o Enforcement report showing highest speed and volume violators over selected locations
 - o Effectiveness report showing program performance

Construction

- **LED Pixels:** Amber 595nm, 0.5 rad viewing angle, 100,000 hours, black background, (MUTCD compliant)
- **LED Density:** 1.5 x 2.5 cm pitch, 26 x 96 pixel matrix
- **Radar:** K Band (24.15 GHz), FCC Certified, no license required, +2 kph accuracy, 0.2 rad square pickup area, range: 610+ m., 8-150 KPH
- Conformal coating on all circuit boards
- Integral handle, two heights
- Weatherproof, NEMA 4, IP65 sealed
- 0.3 cm Tinted, non-glare, UV stabilized polycarbonate face
- Aluminium chassis, 12 ga, black powder coat finish
- Tamper resistant mounting hardware system, hardware, controls and battery access secured behind enclosure lock
- -40° to 71°C operating temperature range, 95% humidity non-condensing (-29°C for Bluetooth communication, -15°C for internal camera)

SpeedAlert Power

- **Power Input, Max:** 12VDC, 8A max, 96 W max; 4A, 48W typical
- Power saving circuitry and automatic dimming for ambient light conditions with adjustable dimming range and manual display brightness override
- **Power Options:** 112VDC locking plug, 30A capacity compatible power supplies include vehicles' power port, with optional adapter
 - o Trailer wiring adapter for hitch mount
 - o POWERcase portable power supply, PC26 or PC36
 - o 120 or 220 VAC Power supply in NEMA 4 enclosure
 - o ATS 5 Trailer (batteries with optional solar assist:
 - o 235 or 470 Ah, 60W solar option)
 - o Pole battery box: 156Ah battery with solar assist
- Battery level indicator on sign, All Traffic Solutions Android App, PC Sign Manager or TraffiCloud Remote Management
- Auto recovery for battery with solar
- Power cable customer replaceable, gold plated connector contacts, high visibility yellow cable

Standard SpeedAlert System Components

- SpeedAlert Radar Message Display SA24
- PC Sign Manger software with USB cable
- On-Board Controls
- Optional SpeedAlert Components and Features TraffiCloud Web-Based Remote Management Service Android App, Bluetooth connectivity
- Padded carrying case with accessory pockets, shoulder strap
- **Mounting bracket:** Pole mount standard with included bracket, hardware no tools required
- Tamper resistant hardware compartment rotate bracket for additional 30.5 cm of mounting height
- Aluminum with black powder coat
- Sign can be locked into bracket bolt sign to mounting bracket for additional security
- Mounting hardware supplied
- **Speed activated relay closure**
 - o 7A, 30VDC or 7A 120VAC max, 100mA 5VDC min, no power supplied, simply a contact closure
 - o Trigger relay at specified speed with configurable duration from 1 to 10 seconds per radar event
- Tamper alarm – ATS-5 or ATS-3 trailer

SpeedAlert Mounting Options

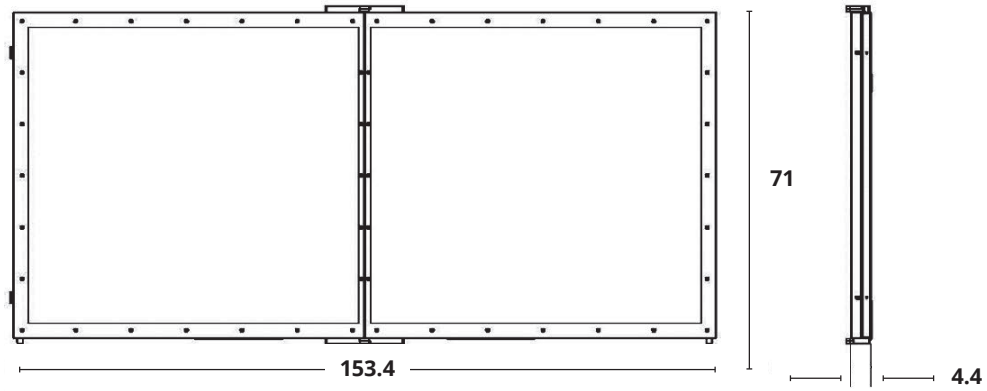
ATS-5 Trailer (refer to ATS 5 specifications or more info)

- Vehicle Hitch mount
 - o Mounts sign 76.2 cm to bottom of sign from receiver tube (final height dependent on receiver height)
 - o Fits 3.2 or 5.1 cm receiver, adapter included, 1.3 cm hitch pin
 - o Locking rotation adjustment on 0.3 rad increments over 3.14 rad , +/- 0.1 rad tilt
 - o White powder coat finish with rear reflector
- Standard Folding Portable Post
 - o Folds for easy storage and portability
 - o 119.4 x 152.4 cm to bottom, 185.4 to 218.4 cm to top depending on leg positions; rotate bracket for additional 30.5 cm height
- Mounting provisions for permanent applications with ¼-20 threaded holes

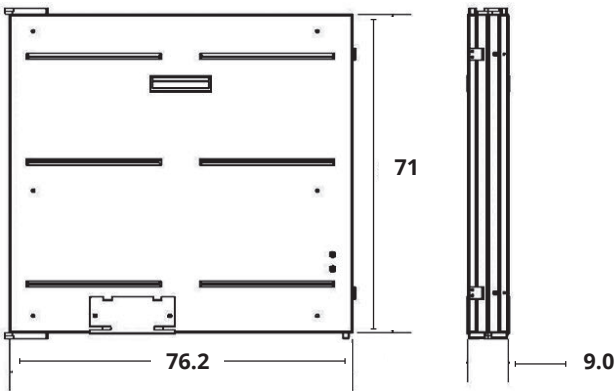
Warranty Options

- PremierCare Perpetual Warranty available with current TraffiCloud subscription. Ask your ATS sales representative for details.
- All Traffic Solutions 3-year Manufacturer's Warranty comes standard on all SpeedAlert radar speed displays purchased after January 1, 2019.

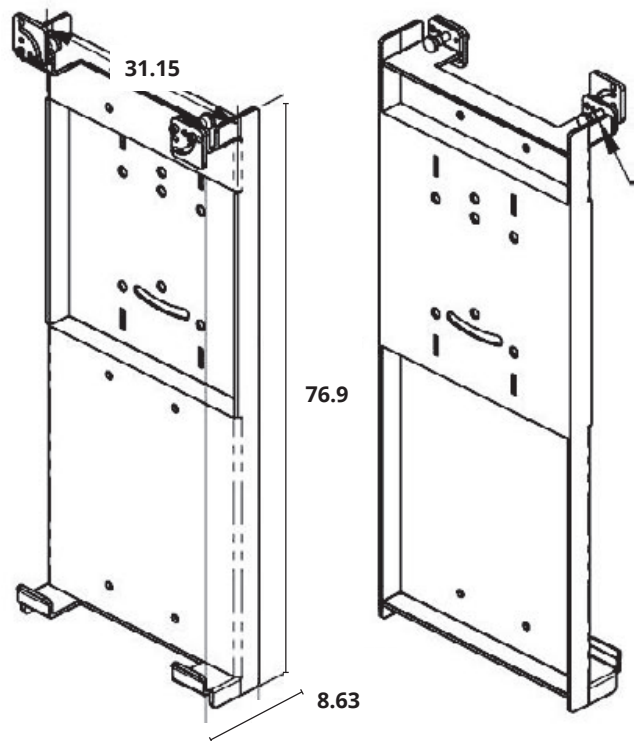
Dimensions: Open



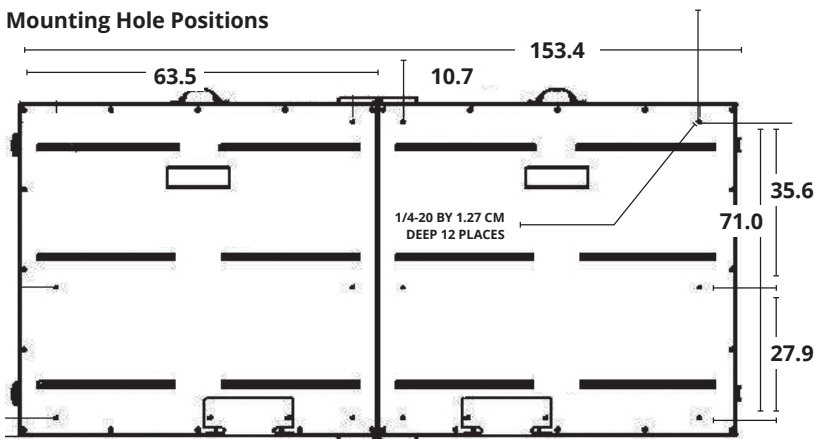
Dimensions: Folded



Dimensions: Mounting Plate



Mounting Hole Positions



FOR MORE INFORMATION VISIT US ONLINE AT TRAFFICLOGIX.COM

INFO@TRAFFICLOGIX.COM

CALL US AT 866.915.644

TrafficLogix is an exclusive Canadian distributor for All Traffic Solutions. All Traffic Solutions was founded in 2000 and is a leading provider of traffic safety and public messaging solutions.