



PRODUCT SPECIFICATIONS:

INSTALERT 24 VARIABLE MESSAGE SIGN

InstAlert Variable Message Sign

- Open dimensions: 4.1 x 71.1 x 152.4 cm
- Folded dimensions: 9.3 x 71.1 x 76.2 cm
- Folded sign fits in police cruiser trunk, SUV hatch
- Full matrix display: 26 x 96 pixels, 1.5 x 2.5 cm pitch
- **LED pixels:** Amber 595nm, 0.52 rad viewing angle, 100,000 hrs, black background, MUTCD compliant color, universal display modules
- Meets MUTCD Specifications
- On-board message selector buttons to select between 25 internal messages and modes with anti-tamper lockout
- Local and remote management and monitoring options
- Sign has integral active cell modem allowing TrafficCloud Web-Based Management Services for remote management
- Integral camera for awareness and alert driven images
 - o 640x480 daylight images
- Power saving circuitry and automatic dimming for ambient light conditions with adjustable dimming range and manual display brightness override
- Conformal coating on all circuit boards
- Integral case handles and nylon web handles
- Weight: 19.5 kg
- Weatherproof, inherently sealed design
- 0.3 cm tinted, non-glare, UV stabilized polycarbonate face
- Entire face removable for service
- Aluminum chassis, 12 ga., with black powder coat finish
- Mounting provisions for permanent applications, (12) ¼-20 threaded holes
- -40° C to 70° C operating temperature range, 95% humidity, non-condensing (-29° C for Bluetooth comm.)
- Withstands 113 kph winds

InstAlert Operation Modes

- **Message Mode:** Display one message, up to 6 screens
- **All Messages:** Sequence all messages in sign memory
- **Schedule:** Change message and/or mode up to 13 times/day
- Speed based modes available in the SpeedAlert 24 configuration
- Sign returns to last configuration when power applied

InstAlert Messages

- **1-3 line messages**
 - o 1 line: 61 H x 31.8 cm W characters, 4 per line
 - o 2 lines: 26 H x 14.6 cm W characters, 8 per line
 - o 3 lines: 17.8 H x 10.2 cm W characters, 12 per line
 - o 2 lines: (1) 17.8 cm char, 12/line, (1) 26 cm char, 8/line
- Up to 6 screens per message
- Message power efficiency calculator in software
- Variable display time, flash and reverse rates for each screen
- Full graphics capability, each LED individually controllable, programmable from PC, PDA or remotely
- Ability to link multiple messages for up to 144 screen animation
- Scroll through 25 user defined onboard messages using selector buttons built into sign, no training necessary; buttons on unit become inactive after timeout to prevent tampering, reactivate by reapplying power
- Unlimited message storage on PC, Android device or remote server
- Messages on sign do not get erased when power removed
- Sign returns to last message when power applied
- Actual sign preview on PC, Android or TrafficCloud

Compatible with these All Traffic Solutions Products

Engineered and manufactured in the United States of America



InstAlert 24 on Portable Post



InstAlert 24 on ATS-5

InstAlert Programming

Program and monitor the sign three ways:

On-Board Programming (standard on all units)

- Select message from sign's memory
- Select operation mode

TraffiCloud Web-Based Management Services using integral cell modem for remote management (See TraffiCloud specification for more information):

- Turnkey system. Remote sign connection functional upon ship. Unit connects to TraffiCloud system when sign powered
- Fully hosted web-based management system
 - o Internet connected computer with browser provides anywhere access on all browser capable, connected devices.
 - o No IT involvement or support necessary. System bypasses customer network eliminating access issues
 - o Cellular provided by All Traffic Solutions, no separate cellular charges
 - o Hosted database requires no setup or maintenance by customer
- **Apps:** All apps included in Message Suite:
 - o Equipment Management: Change messages and settings remotely, monitor sign online

- o Image Management: Online image retrieval and management of images from internal camera
- **Alerts:** Notifications for low battery and tampering, alerts can include images
- **Mapping:** Visually manage equipment and data
- Premier Care Perpetual Warranty

All Traffic Solutions PC Sign Manager

Local Management using PC with USB connection standard with all signs

- PC based client software
- Connect to sign via USB or Bluetooth (Optional)

Android App: Local Management (Optional):

- Android OS wireless Bluetooth control local to unit
- Android device can be phone or WiFi device with Bluetooth

Local Management Features:

- Create and change messages, modes and settings
- Local image retrieval and management from internal camera
- Manage all unit settings, automatic sync with TraffiCloud Web Based Management
- All traffic data and messages can be saved for online management and backup with optional TraffiCloud Message Suite

- o Create message and save to TrafficCloud library, messages available on All Traffic Solutions Android App or PC Sign Manager devices
- Sign firmware field and remotely upgradeable

InstAlert Settings

- Configure the following parameters via PC, Android or TrafficCloud Web-Based Management System:
 - o load instaMESSAGE using “Display Now” feature
 - o load 24 messages into sign’s memory
 - o Scroll messages in sign’s memory
 - o Display signs from server or local device memory
 - o Set sign mode
 - o Upload schedule
 - o Set automatic dimming range minimum and maximum levels or manually override display brightness
- Internal real time clock, time maintained with power disconnected
- Set time via local device or sync with cell signal

Scheduling

- All days, multiple messages: schedule up to 50 different messages or modes for up to 13 different time periods in a 24 hour day, repeats in each 24 hour cycle
- 7 day, multiple messages: schedule different messages or modes for up to 13 different time periods in each 24 hour day for each of 7 days, repeats in each 7 day cycle; up to 50 different messages can be used over the 7 day period
- All messages and scheduling reside on the sign – no external hardware necessary
- Program schedule via TrafficCloud Web, All Traffic Solutions Android App or PC Sign Manager, Save to load onto multiple signs
- Camera activation controlled in schedule windows
- Internal real time clock, time and schedule maintained with power disconnected

Data Logging Option for InstAlert units with the optional internal radar option – SpeedAlert 24

- Upgrade to the SpeedAlert 24, adding traffic radar to the InstAlert to enable collection of traffic data and speed display functionality
- See the SpeedAlert 24 Specification Sheet

InstAlert Sign Power

- Power Input, Max:
- 12VDC, 8A max, 96 W max; 4A, 48W typical
- Power saving circuitry and automatic dimming for ambient light conditions with adjustable dimming range and manual display brightness override
- **SpeedAlert 24 Power:**
 - o 12VDC locking plug, 30A capacity: Compatible power supplies include:
 - o Vehicles’ power port, with optional adapter
 - o Trailer wiring adapter for hitch mount
 - o POWERcase portable power supply, PC26 or PC36
 - o 120 or 220 VAC Power supply in NEMA 4 enclosure
 - o ATS 5 Trailer (batteries with optional solar assist: 235 or 470 Ah, 60W solar option)
 - o Pole battery box: 156Ah battery with solar assist
- Battery level indicator on sign, Android App, PC Sign Manager or TrafficCloud Remote Management
- Auto recovery for battery with solar
- Power cable customer replaceable, gold plated connector contacts, high visibility yellow cable

Standard InstAlert System Components

- InstAlert Variable Message Sign iA24
- PC Sign Manger software with USB cable
- On-Board Controls

InstAlert Mounting Options

- ATS-5 Trailer (refer to ATS-5 specifications for more info)
- Options using the InstAlert mounting bracket
- Hitch mount
 - o Sign height: 63.5 cm to bottom, 134.6 cm to top of sign from receiver tube (final height dependent on receiver height, flip mounting bracket for an additional 30.5 cm)
 - o Fits 3.2 cm or 5.1 cm receiver, adapter included
 - o 1.3 cm hitch pin
 - o Locking rotation adjustment on 0.26 rad increments over 3.14 rad
 - o +/- 0.1 rad tilt to adjust LED aim for maximum brightness
 - o White powder coat finish with rear reflector
 - o Not intended for operation above 24 kph

- **Telescoping Hitch Mount**
 - o All features of standard hitch mount, plus
 - o Sign height: 134.6 cm to bottom, 205.74 cm to top of sign from receiver tube (final height dependent on receiver height, flip mounting bracket for an additional 30.5 cm)
- **Standard Folding Portable Post:**
 - o Folds for easy storage and portability
 - o 106.7 to 139.7 cm to bottom, 177.8 to 210.8 cm to top of sign depending on leg positions, rotate bracket for additional 30.5 cm
- o Rotate bracket for additional 30.5 cm of mounting height
- o Aluminum with black powder coat
- o Sign can be locked into bracket
- o Bolt sign to mounting bracket for additional security
- o Mounting hardware supplied
- Internal radar allowing for speed display, speed dependent messaging and speed and volume data collection - SpeedAlert 24
- Drive Times sensor-free Time to Destination Service - Travel time data sent to sign every minute

Optional InstAlert Sign Components and Features

- TraffiCloud Web-Based Remote Management Service
- Android App, Bluetooth connectivity
- Padded carrying case with accessory pockets, shoulder strap
- **Mounting bracket**
 - o Mounts to pole or any surface using any hardware, no tools required
 - o Tamper resistant hardware compartment

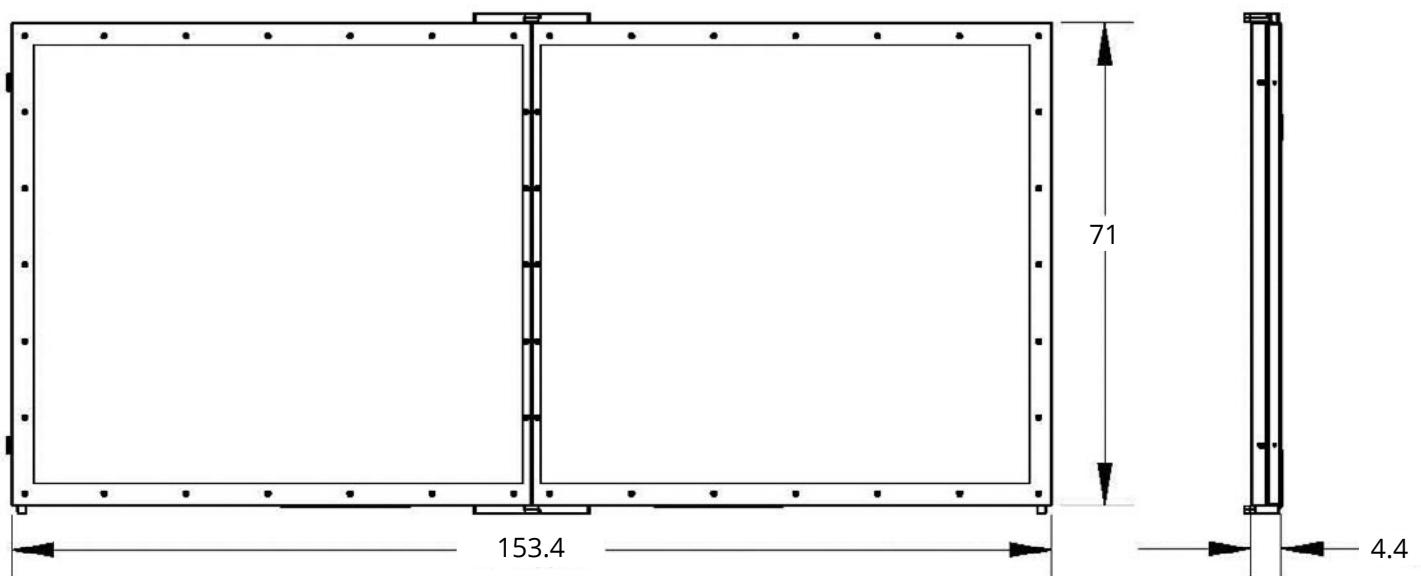
Warranty

- 1-year warranty (three months on Li-Ion batteries)

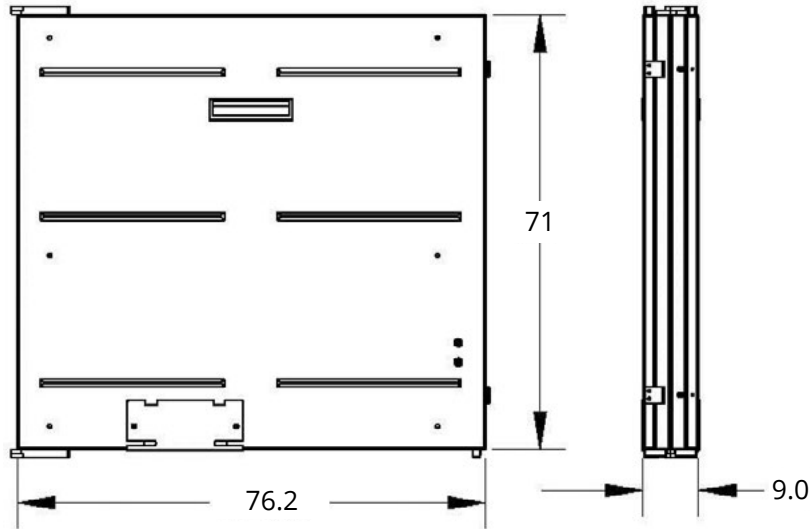
PremierCare

- o Extended Warranty
- o Product software upgrades free
- o Vandalism and accidental damage (non-warranty) at 50% off list price

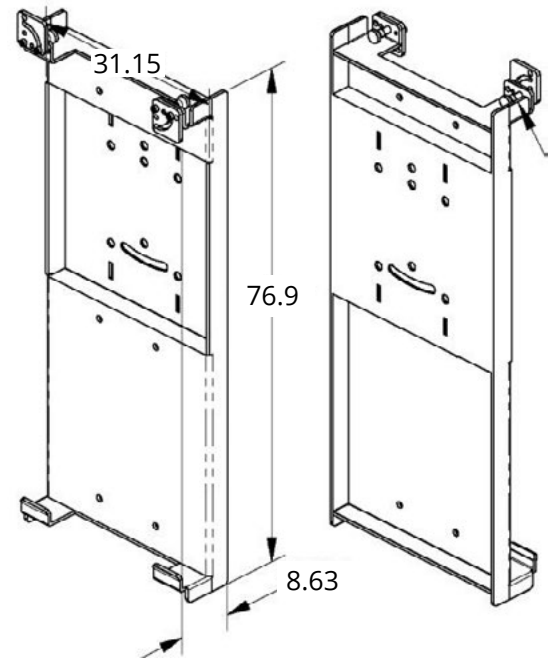
InstAlert Dimensions: Open



InstAlert Dimensions: Folded



Dimensions: Mounting Plate



Mounting Hole Positions

