



PRODUCT SPECIFICATIONS:

SPEEDALERT 18 RADAR MESSAGING SIGN

SpeedAlert Radar Message Sign

- **SpeedAlert 18 (SA18):** 45.7 x 71.1 cm full matrix (*SpeedAlert 24 (SA24)* 61 x 152.4 cm full matrix also available – see separate SpeedAlert 24 Spec Sheet)
- Size and weight without battery
 - o 76.2 x 50.8 x 7 cm (without Your Speed sign), 13.2 kg
- Full matrix display
- **Universal mounting system:** Attach to pole, trailer or vehicle hitch mount
- Integral camera for awareness and alert triggered images: 640 x 480 pixel daylight images
- Internal K band radar with adjustable sensitivity
- Meets MUTCD Specifications

SpeedAlert Operation Modes

- **Message Mode:** Display one message, up to 6 screens
- **All Messages:** Sequence all messages in sign memory
- **Speed Display:** Display approaching vehicle's speed
- **Dependent Message:** Display targeted messages based upon vehicle's speed, up to six screens per message
- Changeable speed limit sign
- **Stealth or Display Off:** Collect traffic speed and volume data with no LED display, 'YOUR SPEED' sign easily removed
- **Schedule:** Change message and/or mode up to 13 times/day
- Collect vehicle volume by speed and time data in all modes
- Sign returns to last mode and configuration when power applied

SpeedAlert Programming Methods

On-Board Programming (standard on all units)

- Select operation mode
- Set Speed Limit
- Select message from sign's memory

TraffiCloud™ Web-based Remote Management Services:

Remote Management using integral cell modem
(See TraffiCloud specification for more information):

- Turnkey system. Remote connectivity functional upon ship. Unit connects to TraffiCloud Service when sign powered
- Fully hosted web-based management system
 - o Internet connected computer with browser provides anywhere access on all connected devices with browser
 - o No IT involvement or support necessary. System bypasses customer network eliminating access issues
 - o Cellular provided by All Traffic Solutions, no separate cellular charges
 - o Hosted database requires no setup or maintenance by customer

Apps – All apps included in Traffic Suite:

- **Equipment Management:** Online sign management - Change messages and settings remotely
- **Reporting:** Online data retrieval, management and analysis, Enhanced report generation
- **Image Management:** Online image retrieval and management of images from sign's internal camera
- **Alerts:** Notifications for low battery and tampering, high speed and congestion; Alerts can include images
- **Mapping:** Visually manage equipment and data
 - o PremierCare perpetual warranty

All Traffic Solutions PC Sign Manager

Local Management using PC with USB connection standard with all signs, Bluetooth optional

- PC based client software
- Connect to sign via USB or Bluetooth (optional)

All Traffic Solutions Android App: Local Management (Optional):

- Android OS wireless Bluetooth control local to unit
- Android device can be phone or WiFi device with Bluetooth

Local Management Features: (PC and Android)

- Create and change messages, modes and settings
- Local data retrieval and management
- Local image retrieval and management from sign's internal camera
- Manage all unit settings, automatic sync with TrafficCloud Web-based Remote Management Service if subscribed
- All traffic data and messages saved for online management and backup
 - Retrieve data and save to TrafficCloud at no cost, generate limited reports online from hosted data. Extended reports available with TrafficCloud subscription
 - Create message and save to TrafficCloud library, messages available on all Android App or PC Sign Manager devices with TrafficCloud subscription

SpeedAlert Messages

- **SA18:** 1-2 line messages
 - **1 line:** 26.4 cm H x 14.6 cm W characters, four per line
 - **2 lines:** 17.8 cm H x 10.2 cm W characters, six per line
- Up to 6 screens per message
- Full graphics capability, each LED individually controllable
- Variable display time, flash and reverse rates for each screen
- Scroll through 25 user defined onboard messages using selector buttons built into sign, no training necessary
- Ability to sequence messages for up to 144 screen animation
- Message power efficiency calculator in software
- Actual sign preview and unlimited message storage using TrafficCloud Web-based Remote Management Service, All Traffic Solutions PC Sign Manager or Android app
- Messages on sign retained when power removed
- Sign returns to last message when power applied
- Conditional Messaging – Accept local or remote data and dynamically display messages driven off data, and/or incorporate into messages

SpeedAlert Programming

Configure the following parameters via TrafficCloud Web-based Management System, All Traffic Solutions Android app or PC Sign Manager

- **Messages**
 - Create and load message using 'Display Now' feature
 - Load 24 messages into sign's memory
 - Scroll messages in sign's memory
 - Display signs stored in TrafficCloud Web, All Traffic Solutions Android app or PC Sign Manager
- **Speeds**
 - Speed limit
 - Maximum speed displayed
 - Display on/off/specific mph activation
 - Radar sensitivity (range)
 - **Speed limit sign operation:** Change speed limit up to 13 times per day schedule
 - Metric capable display with hundreds digit
 - Set time via PC, Android or sync with cell signal (TrafficCloud)
 - Sign firmware field and remotely upgradeable

Speed Dependent Message System

- Different messages for each of five speed ranges
 - No cars
 - Cars <= speed limit
 - Cars > Speed Limit, < x
 - Cars > x < upper speed
 - Cars > upper speed
- Ranges dependent on speed limit setting only, so simple speed limit change adjusts all dependent message ranges
- Independent maximum speed displayed setting
- Speed dependent messages can be any SA18 messages, including:
 - 'YOUR SPEED' screen, 45.7 cm speed display digits
 - 'SPEED LIMIT' screen, 45.7 cm speed limit display digits

Scheduling

- **All Days, Multiple Messages:** Schedule up to 50 different messages or modes for up to 13 different time periods in a 24 hour day, repeats in each 24 hour cycle
- **Seven Day, Multiple Messages:** Schedule different messages or modes for up to 13 different time periods in each 24 hour day for each of seven days, repeats in each seven day cycle; up to 50 different messages can be used over the seven day period

- All messages and scheduling reside on the sign – no external hardware necessary
- Program schedule via TrafficCloud Web, All Traffic Solutions Android app or PC Sign Manager, Save to load onto multiple signs
- Camera activation controlled in schedule windows
- Internal real time clock, time and schedule maintained with power disconnected

SpeedAlert Data Logging Option

- Traffic reports generated using TrafficCloud Web-based Reporting app
- Collect data automatically with TrafficCloud Remote Management or locally with All Traffic Solutions Android app or PC Sign Manager
- Reports include tables and charts to address all constituents with the most applicable data presentation
- All reports exportable to excel, csv and pdf
- Automatic Data Collection – TrafficCloud Web
 - Data retrieval every 15 minutes – near real time reporting, memory never full
 - All data in one database for analysis filtered by location, date and time
 - Access reports from interactive map view by location
- **Local Data Collection:** All Traffic Solutions Android app or PC Sign Manager
 - All data hosted in online database for anywhere access
 - Download traffic data from sign with USB or Bluetooth connection
 - 30 days of high volume data minimum storage on sign, Data collection rolls over when memory reaches capacity
- **Reports, Local Data Collection:**
 - Summary page with average and 85th percentile speed, average daily volume, 16 kph pace speed, high and low speed, display mode
 - Traffic counts by speed range, full day and time of day over selected date range with 8 kph resolution
 - Vehicle counts by time range per day by hour
 - Vehicle counts by speed range and time of day
- Reports, automatic data collection (TrafficCloud Web-based Management Services)
 - Enhanced Summary with detail charts and graphs
 - Compliance by speed range with 3 ranges

- Enforcement report showing highest speed and volume violators over selected locations
- Effectiveness report showing program performance

Construction

- ‘YOUR SPEED’ sign
 - High intensity prismatic reflective background
 - 61 x 20.3 cm
 - 8.9 cm high MUTCD ‘C’ letters
- **LED Pixels:** Amber 595nm, 0.5 rad viewing angle, 100,000 hours, black background, (MUTCD compliant)
- **LED Density:** 1.5 x 2.5 cm pitch, 18 x 48 pixel matrix
- **Radar:** K Band (24.15 GHz), FCC Certified, no license required, +-2 kph accuracy, 0.2 rad square pickup area, range: 457 m, 8-150 kph
- Conformal coating on all circuit boards
- Integral handle
- Weatherproof, NEMA 4, IP65 sealed
- 0.6 cm Tinted, non-glare, UV stabilized polycarbonate face
- Drip proof, vented battery compartments (2)
- Aluminium chassis, 14 ga, white powder coat finish, black powder coat front for maximum contrast for display visibility
- Tamper resistant mounting hardware system, hardware, controls and battery access secured behind enclosure lock
- -40° to 71°C operating temperature range, 95% humidity non-condensing (-29°C for Bluetooth communication, -15°C for internal camera)

SpeedAlert Power

- **Power Input, Max:** 12 VDC, 3 A max, 36 W max
- Power saving circuitry and automatic dimming for ambient light conditions with adjustable dimming range and manual display brightness override
- **SpeedAlert 18 Power Options:**
 - 16Ah LFP battery with built-in short circuit and reverse polarity protection circuitry; 1.5A 12.8 VDC output, 120VAC input automatic charger; Capacity for up to 2 batteries in unit for extended portable use
 - Solar panel assist: 40W or 60W solar panel and bracket, Solar controller panel with 26Ah lead acid battery; 6A 120VAC automatic charger optional
 - 100-220VAC AC power supply (6A 12VDC) in external NEMA 4 enclosure

Compatible with these All Traffic Solutions Products

Engineered and manufactured in the United States of America

- 1+2. SpeedAlert 18 Pole Mount
3. SpeedAlert 18 on ATS-5 Trailer
4. SpeedAlert 18 with Full Wrap Your Speed Sign (White or Red)



- o ATS-5 Trailer (batteries with optional solar assist: 235 or 470 Ah battery system, 40 or 60W solar option)
- o ATS-3 Trailer, 100Ah battery and 40W solar option
- Battery level indicator on sign, Android app, PC Sign Manager or TrafficCloud Remote Management
- Auto recovery for battery with solar

Standard SpeedAlert System Components

- SpeedAlert Radar Message Display SA18
- Tamper resistant mounting plate and hardware
- Key
- On-board controls
- ATS PC Sign Manger software with USB cable

Optional SpeedAlert Components and Features

- TrafficCloud Web-Based Remote Management Service
- All Traffic Solutions Android app, Bluetooth connectivity
- Padded carrying case
- Extra mounting brackets
- Speed activated relay closure
 - o 7A, 30VDC or 7A 120VAC max, 100mA 5VDC min, no power supplied, simply a contact closure
 - o Trigger relay at specified speed with configurable duration from 1 to 10 seconds per radar event
- **Tamper Alarm:** ATS-5 or ATS-3 trailer

SpeedAlert Mounting Options

- Pole mount standard with included bracket, hardware
- NCHRP 350 approved on 10.2 cm pole (Letter SS-135)
- ATS-5 Trailer (refer to ATS-5 specifications for more information)

- ATS-3 Trailer (refer to ATS-3 specifications for more info)

Vehicle Hitch Mount

- o Mounts sign 76.2 cm to bottom of sign from receiver tube (final height dependent on receiver height)
- o Fits 3.2 or 5.1 cm receiver, adapter included, 1.3 cm hitch pin
- o Locking rotation adjustment on 0.3 rad increments over 3.14 rad, +/- 0.1 rad tilt
- o White powder coat finish with rear reflector

Standard Folding Portable Post

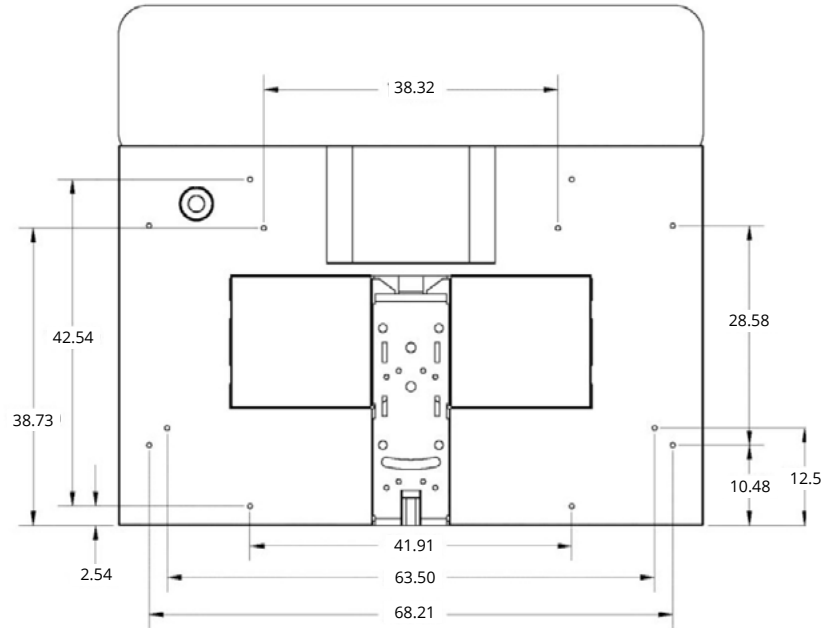
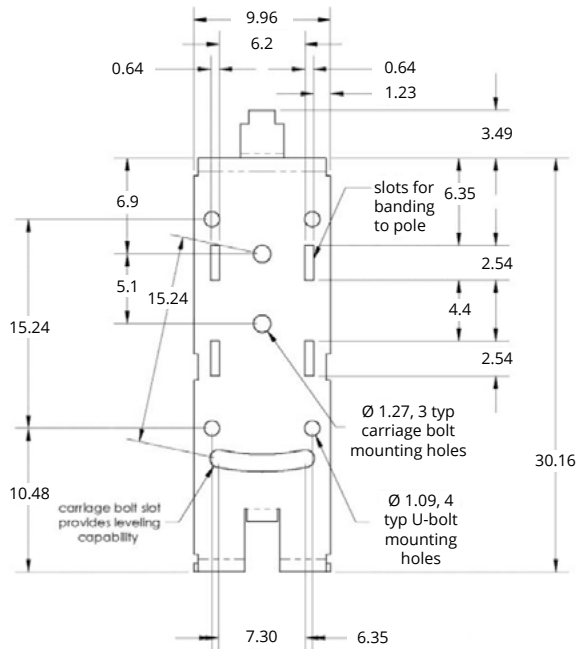
- o Folds for easy storage and portability
- o **IA18:** 152.4 x 185.4 cm to bottom, 203.2 x 236.2 cm to top of sign depending on leg positions

- Mounting provisions for permanent applications with ¼-20 threaded holes

Warranty

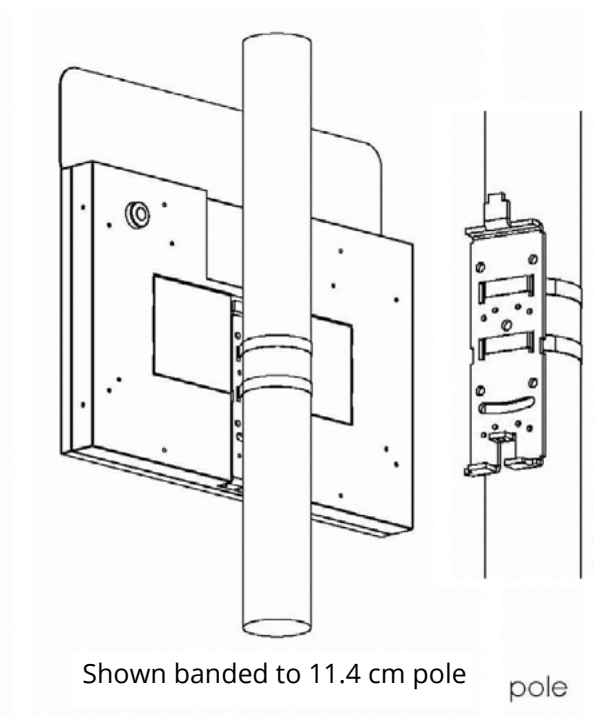
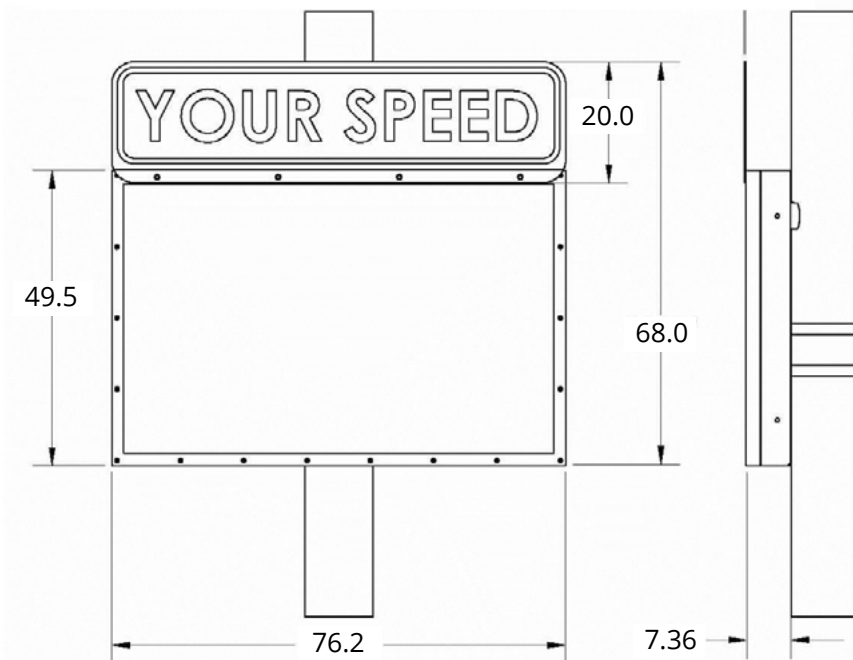
- 1-year warranty (three months on Li-Ion batteries)
 - o Product software upgrades free
- PremierCare, included with TrafficCloud Web Subscription
 - o Perpetual warranty for the duration of subscription
 - o Accessories, vandalism and accidental damage (non-warranty) at 50% off list price

SpeedAlert 18 Mounting Bracket and Mounting Holes

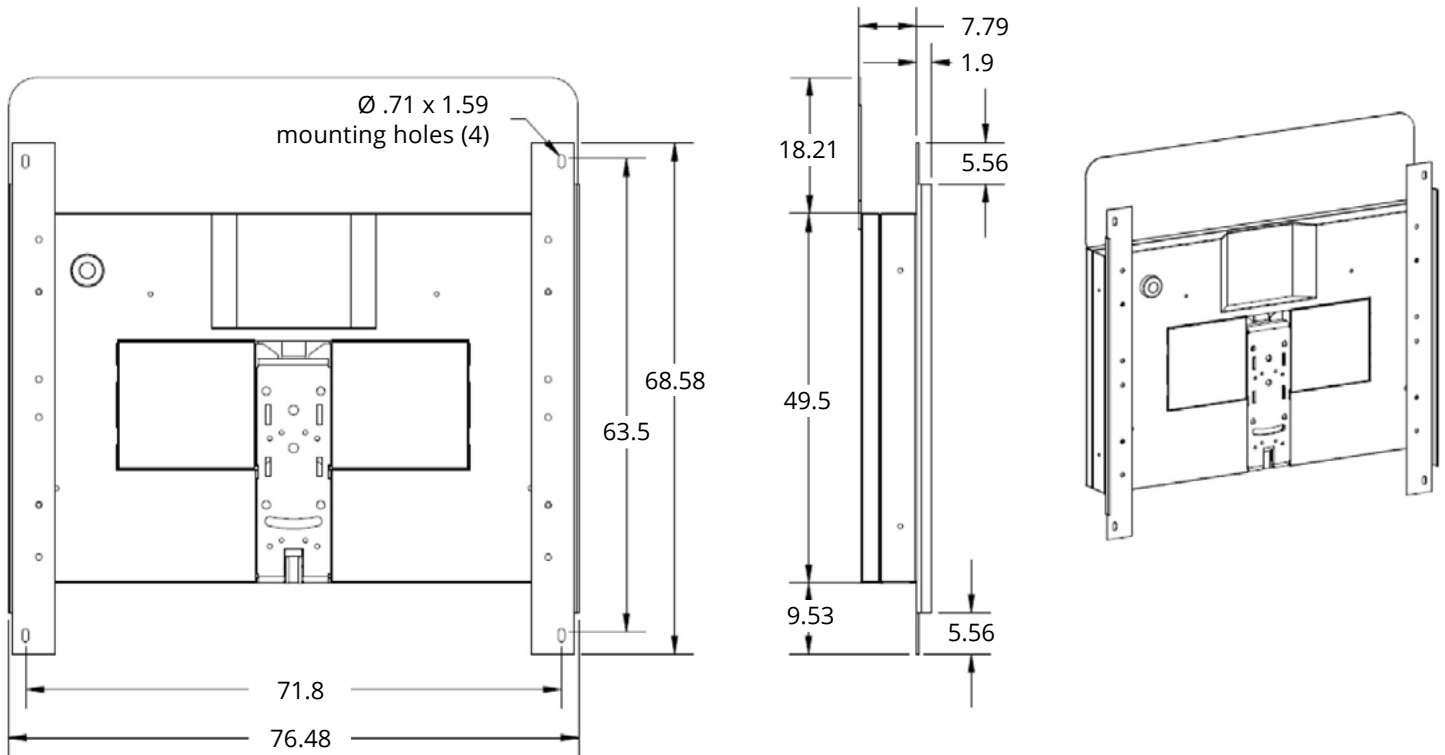


Additional Mounting Provisions:
1/4-20 thread, captive nuts

SpeedAlert 18 Dimensions



SpeedAlert 18 with Trailer Mounting Brackets Installed – for Installation on Existing Trailers for Trade In



All Traffic Solutions 12950 Worldgate Drive, Suite 310, Herndon, VA 20170

Phone 866.366.6602 | sales@alltrafficsolutions.com | AllTrafficSolutions.com

©All Traffic Solutions

TraffiCloud leverages our patented technology (US Patents 8417442; 8755990; 9070287; 9411893) to deliver unique cloud-based management, features and functionality.