



SPEEDALERT 18 RADAR MESSAGE SIGN - B UNIT

Features

- **Dimensions, weight without battery:** 20" high x 30" wide x 2.74" deep, 29 lb.
 - 18" high x 28" full matrix
- Full matrix display
- **Universal mounting system:** attach to pole, trailer or vehicle hitch mount
- **Radar:** Adjustable sensitivity, K Band (24.15 GHz), FCC certified, no license required, +/-1 mph accuracy, 12-degree cone pickup area, 5-105 mph
- **Range:** 1500+ ft (12B, 15B range: 400')
- Meets Federal Department of Transportation MUTCD Specifications

Sign Modes

- **Message Mode:** Display one message, up to six screens
- **All Messages:** Sequence all messages in sign memory
- **Speed Display:** Displays approaching vehicle's speed
- **Display Off:** Collect traffic speed and volume data with no display
- **Dependent Message:** Display targeted messages based upon vehicle's speed, up to six screens per message
- **Schedule:** Change message and mode up to 13 times a day
- Collect traffic data – Vehicle volume by speed and time – in all modes
- Sign returns to last mode and configuration when power applied

Configuration

On-Board Programming (standard on all units):

- Select operation mode
- Set speed limit
- Select message from sign's memory



ATS PC Sign Manager Local Communication

(PC control/USB connection: Standard on all signs)

- PC based client software
- Connect to sign via USB or Bluetooth (optional)

ATS Android App Local Communication (Optional):

- Android OS wireless Bluetooth control local to sign
- Android device can be smartphone or tablet with Bluetooth

Local Communication Features:

- Create and change modes and settings
- Local data retrieval and management
- Manage all sign settings
- All traffic data can be saved for online management and backup
 - Retrieve data and save to TrafficCloud, generate limited reports online from hosted data



Optional white compact 'YOUR SPEED' sign

SpeedAlert Messages

- **SA18:** One- two line messages
 - **1 Line:** 10 ¼" high x 5.75" wide characters, four per line
 - **2 lines:** 7" high x 4" wide characters, six per line
- Up to six screens per message
- Full graphics capability, each LED individually controllable
- Variable display time, flash and reverse rates for each screen
- Scroll through 25 user defined onboard messages using selector buttons built into sign, no training necessary
- Ability to sequence messages for up to 144 screen animation
- Message power efficiency calculator in software
- Messages on sign retained when power removed
- Actual sign preview and unlimited message storage using TrafficCloud®, ATS PC Sign Manager™ or ATS Android app
- Sign returns to last message when power applied
- Conditional Messaging – Accept local or remote data and dynamically display messages driven off data, and/or incorporate into messages

SpeedAlert Programming

- Configure the following parameters via TrafficCloud, ATS PC Sign Manager, or ATS Android app:
 - **Messages:**



Optional full-size 'YOUR SPEED' sign wraps

- Create and load message using 'Display Now' feature
- Load 24 messages into sign's memory
- Scroll messages in sign's memory
- Display signs stored in TrafficCloud, ATS PC Sign Manager, or ATS Android app
- **Speeds:**
 - Speed limit
 - Maximum speed displayed
 - Display on/off/specific mph activation
 - Radar sensitivity (range)
 - **Speed Limit Sign Operation:** Change speed limit up to 13 times per day schedule
 - Metric capable display with hundreds digit
 - Set time via PC, Android or sync with cell signal (TrafficCloud)
 - Sign firmware field and remotely upgradeable

Speed Dependent Message System

- **Different messages for each of five speed ranges:**
 - No cars
 - Cars <= speed limit
 - Cars > Speed Limit, < x
 - Cars > x < upper speed
 - Cars > upper speed
- Ranges dependent on speed limit setting only, so

simple speed limit change adjusts all dependent message ranges

- Independent maximum speed displayed setting
- Speed dependent messages can be any SA18 messages, including:
 - 'YOUR SPEED' screen, 18" speed display digits
 - 'SPEED LIMIT' screen, 18" speed limit display digits

Scheduling

- **All Days, Multiple Messages:** Schedule up to 50 different messages or modes for up to 13 different time periods in a 24 hour day, repeats in each 24 hour cycle
- **Seven Day, Multiple Messages:** Schedule different messages or modes for up to 13 different time periods in each 24 hour day for each of seven days, repeats in each seven day cycle; up to 50 different messages can be used over the seven day period
- All messages and scheduling reside on the sign – no external hardware necessary
- Program schedule via TrafficCloud, ATS PC Sign Manager, or ATS Android app, save to load onto multiple signs
- Internal real-time clock, time and schedule maintained with power disconnected

Data Logging Option

- **Local Data Collection:** ATS Android app or PC Sign Manager
 - All data hosted in online database for anywhere access
 - Download traffic data from sign with USB or Bluetooth connection
 - 30 days of high volume data minimum storage on sign, data collection rolls over when memory reaches capacity

Reports

- Summary page with average and 85th percentile speed, average daily volume, 10-mph pace speed, high and low speed, display mode
- Traffic counts by speed range, full day and time-bin breakdowns over selected date range with 5-mph resolution
- Vehicle counts by time range per day by hour

- Vehicle counts by speed range and time of day
- **TrafficCloud Reporting:**
 - Compliance by speed range with four ranges
 - Enforcement report showing highest speed and volume violators over selected locations where data collected
- **Local Data Collection:** ATS PC Sign Manager or Android app
 - All data collected hosted in online TrafficCloud for access anywhere
 - Download traffic data from sign with USB or Bluetooth connection
 - 30 days of high-volume data minimum, data collection overwrites oldest data when memory reaches capacity

Construction

- Compact 'YOUR SPEED' sign
 - **Dimensions:** 8" high x 30" wide
 - High-intensity yellow prismatic reflective background
 - Sign stores for compact storage and protects sign face, thumbscrews and tamper-proof hardware included
 - Meets MUTCD standard 'D' font and yellow color
 - Optional white color available
- **LED Pixels:** Amber 595 N.m, 30-degree viewing angle, 100,000 hours, black background, (MUTCD compliant)
- ¼" tinted, non-glare, UV stabilized polycarbonate face
- Entire face removable for service
- Aluminium chassis, 14 ga., white powder coat finish, black powder coat front for maximum contrast for digit visibility
- Protective polycarbonate corners also provide guide for 'YOUR SPEED' sign storage
- Conformal coating on all circuit boards
- Integral handle
- Tamper-resistant mounting hardware pocket, hardware secured behind enclosure lock
- **Weather Resistance:**
 - Weatherproof, sealed electronics compartment
 - Drip-proof, two vented battery compartments
 - -40 to 160F operating temperature range, 95%

humidity non-condensing (-20F for Bluetooth communication, 5F for internal camera)

SpeedAlert Power

- **Power Input, Max:** 12VDC, 3A, 36W
- Power saving circuitry and automatic dimming for ambient light conditions with adjustable dimming range and manual display brightness override
- **SpeedAlert 18 Power Options:**
 - 16Ah Li-Ion Battery with built-in short circuit and reverse polarity protection circuitry; 1.5A 12.8VDC output, 120VAC input automatic charger; capacity for up to two batteries in unit for extended portable use
 - **Solar Power Assist:** 40W or 60W solar panel and bracket, solar controller panel with 26Ah lead acid battery; 6A 120VAC automatic charger optional
 - 100-220VAC AC power supply (6A 12VDC) in external enclosure
 - **ATS 5 Trailer:** (batteries with optional solar assist: 235 or 470Ah battery system, 40W or 60W solar option)
 - **ATS 3 Trailer:** 100Ah battery and 40W solar option
- Battery level indicator on sign, TrafficCloud, ATS PC Sign Manager, or ATS Android app
- Auto-recovery for battery with solar

Standard System Components

- SpeedAlert Radar Message Sign
- Tamper-resistant mounting plate and hardware
- Key
- On-board controls
- ATS PC Sign Manger software with USB cable

Optional Components and Features

- Full-size 'YOUR SPEED' sign wrap
 - **Dimensions:** 36" high x 30" wide
 - Available in white and yellow
 - Meets MUTCD standard 'D' font
- TrafficCloud cloud-based portal
- Padded carrying case

- Extra mounting brackets
- **Relay Closure:**
 - 7A, 30VDC or 7A 120VAC max, 100mA 5VDC min, no power supplied, simply a contact closure
 - Trigger relay at specified speed with configurable duration from one to ten seconds per radar event

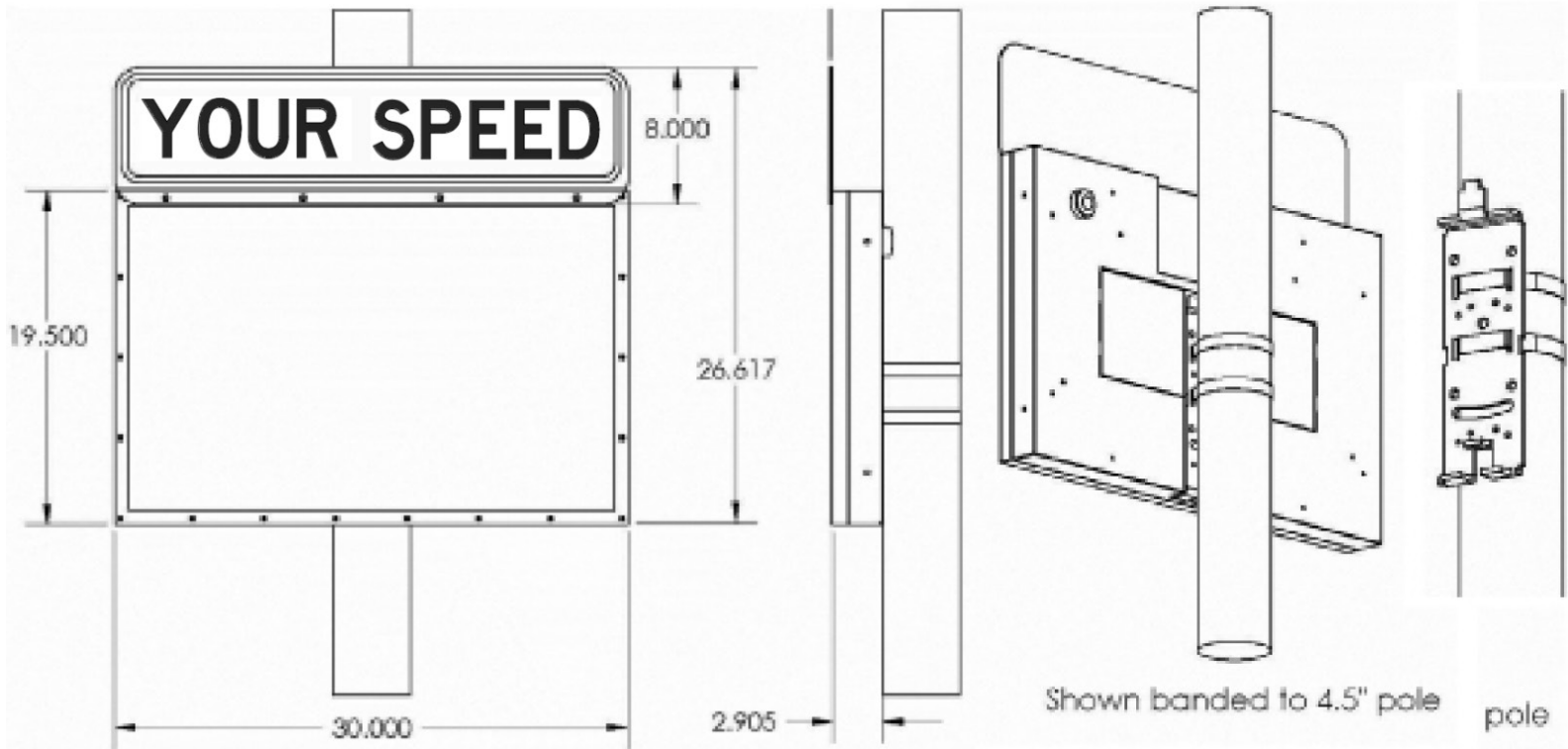
SpeedAlert Mounting Options

- Pole mount standard with included bracket, hardware
- NCHRP 350 approved on 4" pole (Letter SS-135)
- ATS 5 Trailer (refer to ATS 5 specifications for more information)
- ATS 3 Trailer (refer to ATS 3 specifications for more info)
- **Vehicle Hitch Mount:**
 - Mounts sign 30" to bottom of sign from receiver tube (final height dependent on receiver height)
 - Fits 1 ¼" or 2" receiver, adapter included, ½" hitch pin
 - Locking rotation adjustment on 15-degree increments over 180 degrees, +/- 5-degrees tilt
 - White powder coat finish with rear reflector
- **Standard Folding Portable Post:**
 - Folds for easy storage and portability
 - 60" to 73" to bottom, 80" to 93" to top of sign depending on leg positions
- Mounting provisions for permanent applications with ¼-20 threaded holes

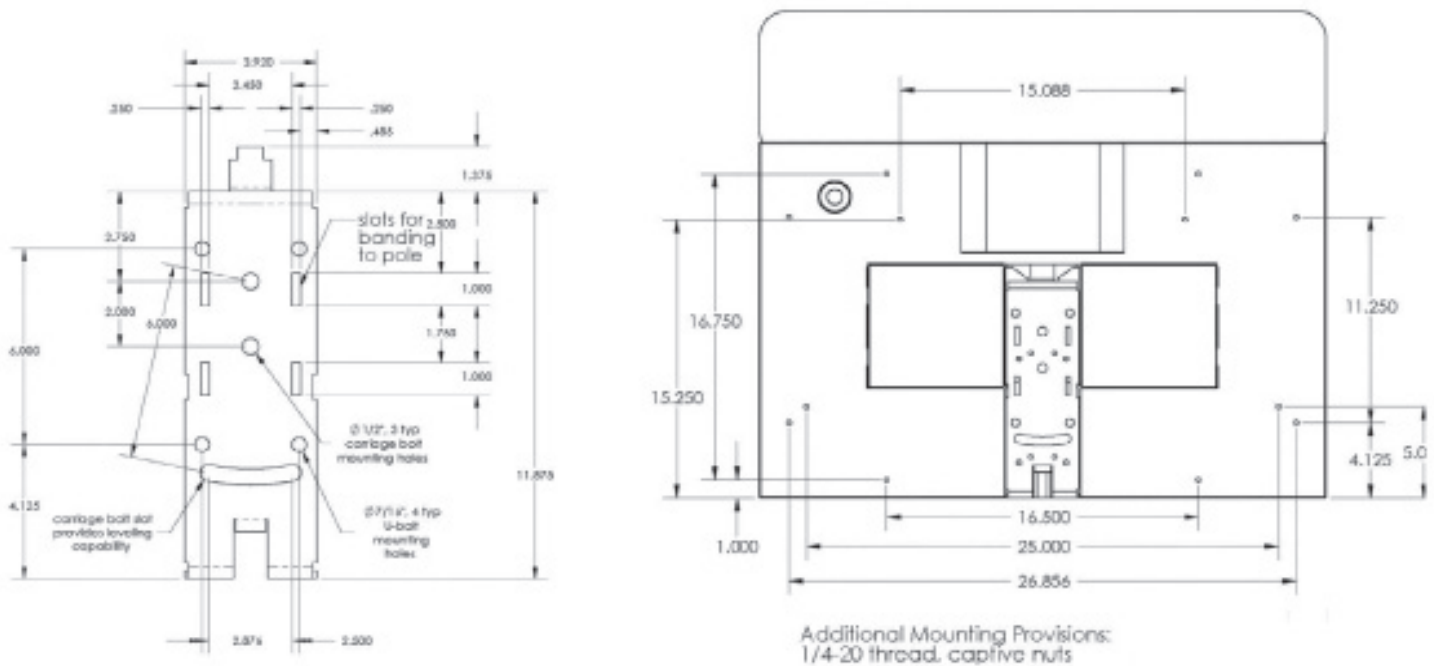
Premier Care Warranty

One year warranty (three months on batteries)

SpeedAlert 18 Dimensions



SpeedAlert 18 Mounting Bracket and Mounting Holes



For more information visit us online at AllTrafficSolutions.com

sales@alltrafficsolutions.com Call us at 866.366.6602

All Traffic Solutions, 14201 Sullyfield Circle, Suite 300, Chantilly, VA 20151

©All Traffic Solutions TrafficCloud leverages our patented technology (US Patents 8417442; 8755990; 9070287; 9411893) to deliver unique cloud-based management, features and functionality. TrafficCloud is a registered trademark of All Traffic Solutions.

ALL TRAFFIC
SOLUTIONS

