



SHIELD RADAR SPEED SIGN - B UNIT

Features

- **2 units to cover any application**
 - Shield 12 or 12B: 12" x 6" digits, 112 LED/digit
 - Shield 15 or 15B: 15" x 18" digits, 140 LED/digit
- **Dimensions, weight without battery:**
 - Shield 12: 13.5" x 15.5" x 3.12", 12 lbs.
 - Shield 15: 8" x 24" x 3.12", 18 lbs.
- **Universal mounting system:** attach to pole, trailer or vehicle hitch mount
- **Integral camera:** for awareness and alert driven images
 - 640 x 480-pixel daylight images (optional)
- **Radar:** K Band (24.15 GHz), FCC certified, no license required, +/-1 mph accuracy, 11-degree square pickup area, 5-105 mph
- **Range:** 1200+ ft (12B, 15B range: 400')
- Meets Federal Department of Transportation MUTCD Specifications

Sign Modes

- **Speed Display:** Displays approaching vehicle's speed

Configuration

On-Board Programming (Standard on all signs):

- Set speed limit
- Set display mode

ATS PC Sign Manager Local Communication

(PC control/USB connection: Standard on all signs)

- PC based client software
- Connect to sign via USB or Bluetooth (optional)

ATS Android App Local Communication (Optional):



- Android OS wireless Bluetooth control local to sign
- Android device can be smartphone or tablet with Bluetooth

Local Communication Features:

- Create and change modes and settings
- Local data retrieval and management
- Local image retrieval and management from internal camera
- Manage all sign settings
- All traffic data can be saved for online management and backup
 - Retrieve data and save to TraffiCloud, generate limited reports online from hosted data

Speed Programming

- Configure the following parameters via ATS PC Sign Manager, ATS Android App or TraffiCloud cloud-based portal (optional):
 - Speed limit
 - Maximum speed displayed
 - Display on/off/specific mph activation
 - Violator Alert on/off/specific mph activation
 - Radar sensitivity (range)
- Speed limit sign operation
 - Change speed limit up to six times per day



Shield 12



Shield 15

Optional white compact 'YOUR SPEED' sign and optional violater alert

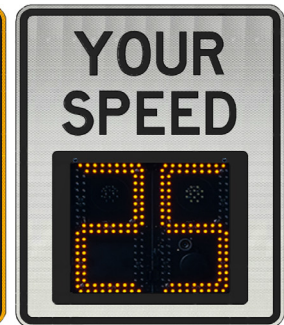
- o Sign flashes when car passing over speed limit, blanks when car over maximum speed displayed

Construction

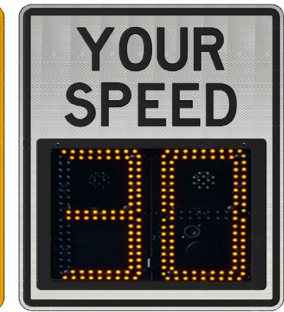
- Compact 'YOUR SPEED' sign
 - o **Shield 12 Dimensions:** 13.5" high x 15.5" wide
 - o **Shield 15 Dimensions:** 8" high x 24" wide
 - o High-intensity yellow prismatic reflective background
 - o Sign stores for compact storage and protects sign face, thumbscrews and tamper-proof hardware included
 - o Meets MUTCD standard 'D' font and yellow color
 - o Optional white color available
- **LED Pixels:** Amber 595 N.m, 30-degree viewing angle, 100,000 hours, black background, (MUTCD compliant)
- 1/4" tinted, non-glare, UV stabilized polycarbonate face
- Entire face removable for service
- Aluminium chassis, 14 ga., white powder coat finish,



Shield 12



Shield 15



Optional full-size 'YOUR SPEED' sign wraps

black powder coat front for maximum contrast for digit visibility

- Protective polycarbonate corners also provide guide for 'YOUR SPEED' sign storage
- Conformal coating on all circuit boards
- Integral handle
- Tamper-resistant mounting hardware pocket, hardware secured behind enclosure lock
- **Weather Resistance:**
 - o Weatherproof, sealed electronics compartment
 - o Drip-proof, two vented battery compartments
 - o -40 to 160F operating temperature range, 95% humidity non-condensing (-20F for Bluetooth communication, 5F for internal camera)

Shield Power

- **Power Input, Max:**
 - o **Shield 12:** 12 VDC, 1.1A, 15W
 - o **Shield 15:** 12 VDC, 1.5A, 20W
- Power saving circuitry and automatic dimming for ambient light conditions, with adjustable dimming

- range and manual display brightness override
- All Shield units can be powered interchangeably with any of the following power options; unit can be outfitted to be powered by multiple sources selected in the field.
- Capacity for two batteries in unit for extended portable use
 - 10.2Ah Lithium LFP battery with built-in short circuit and reverse polarity protection circuitry, 1.5A 12.8VDC output, 120VAC input automatic charger; capacity for up to two batteries in unit for extended portable use
 - **Solar Panel Assist:** 40W or 60W solar panel and bracket, solar controller panel with 18Ah or 26Ah lead acid battery, 6A 120VAC automatic charger optional
 - 100–220VAC AC power supply (6A 12VDC)
- **Shield 15 Only:**
 - 16Ah Li-Ion LFP battery, for longer unattended portable use, capacity for up to two batteries in unit for extended portable use
- **Shield 15 on Trailer:**
 - 90W solar panel with integrated solar sign
 - Trailer batteries – 100 or 235Ah, solar option. Auto recovery with solar for low battery

Standard System Components

- Shield Radar Speed Sign
- Tamper-resistant mounting plate and hardware
- Key
- ATS PC Sign Manger software with USB cable

Optional Components and Features

- Full-size 'YOUR SPEED' sign wrap
 - **Shield 12 Dimensions:** 24" high x 30" wide
 - **Shield 15 Dimensions:** 30" high x 36" wide
 - Available in white and yellow
 - Meets MUTCD standard 'D' font
- TrafficCloud cloud-based portal
- Padded carrying case
- Extra mounting brackets

- Violator Alert, LED flash to alert violators
 - Available in white, blue, or red
- **Metric display:**
 - **Shield 12:** 2-digit KPH display
 - **Shield 15:** 3-digit KPH display
- Fully compatible with Speed Dependent Messaging option when used with an InstAlert Variable Message Sign – see Speed Dependent Message System section

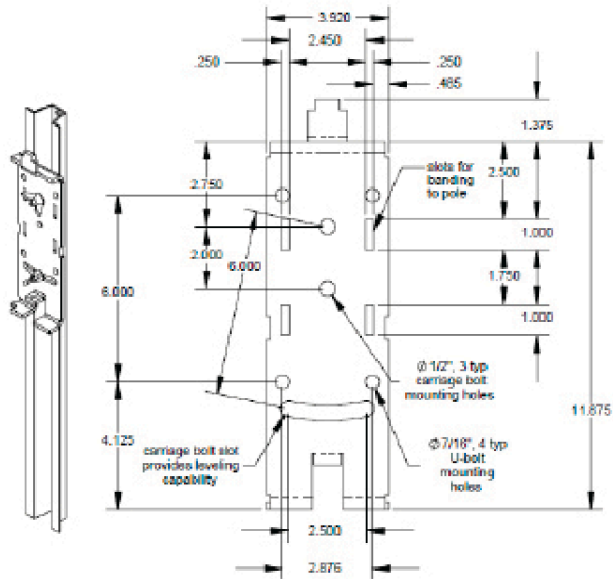
Shield Mounting Options

- Pole mount standard with included bracket, hardware
 - NCHRP 350 approved on 4" aluminium pole (SS-135)
- **Vehicle Hitch Mount**
 - Mounts 30" to bottom of sign from receiver tube (final height dependent on receiver height)
 - Fits 1 ¼" or 2" receiver, adapter included, ½" hitch pin
- Locking rotation adjustment on 15-degree increments over 180-degrees, +/- 5-degrees tilt
 - White powder coat finish
 - 24" x 30" speed limit sign and digits included for 5-65 mph speed limit signs
- **Standard Folding Portable Post:**
 - Folds for easy storage and portability
 - **Shield 12:** 60" to bottom, 73" to top, add 13" for upper leg position
 - **Shield 15:** 60" to bottom, 77" to top, add 13" for upper leg position

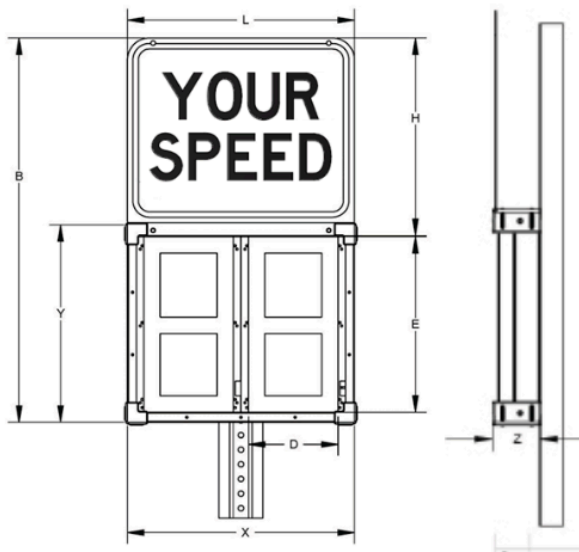
Premier Care Warranty

- One year warranty (three months on batteries)

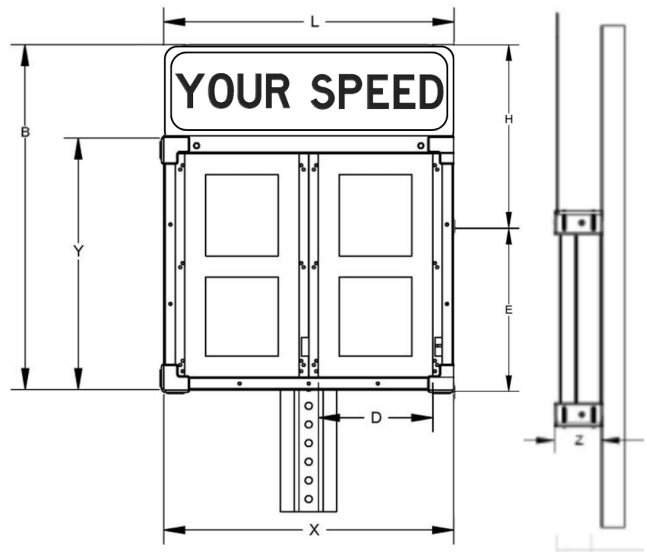
Shield 12 and 15 Mounting Bracket and Mounting



Shield 12 Dimensions



Shield 15 Dimensions



Dim	X	Y	Z	B	D	E	L	H
Sh12	15.5	13.5	3.12	26.3	5.75	12	15.5	13.5
Sh15	24	17	3.13	24.3	8	15	24	8

For more information visit us online at AllTrafficSolutions.com

sales@alltrafficsolutions.com Call us at 866.366.6602

All Traffic Solutions, 14201 Sullyfield Circle, Suite 300, Chantilly, VA 20151

©All Traffic Solutions TraffCloud leverages our patented technology (US Patents 8417442; 8755990; 9070287; 9411893) to deliver unique cloud-based management, features and functionality. TraffCloud is a registered trademark of All Traffic Solutions.

ALL TRAFFIC
SOLUTIONS

