



# SHIELD RADAR SPEED SIGN - B UNIT

## Features

- **Two units to cover any application**
  - Shield 12 or 12B: 12 in. x 6 in. (30.48 cm x 15.24 cm), 112 LED/digit
  - Shield 15 or 15B: 15 in. x 18 in. digits, (38.10 cm x 45.72 cm) 140 LED/digit
- **Dimensions, weight without battery:**
  - Shield 12: 13.50 in. x 15.50 in. x 3.12 in., 12 lb. (34.29 cm x 39.37 cm x 7.92 cm, 5.44 kg)
  - Shield 15: 8 in. x 24 in. x 3.12 in., 18 lb. (20.32 cm x 60.96 cm x 7.92 cm, 8.16 kg)
- **Universal mounting system:** attach to pole, trailer or vehicle hitch mount
- **Integral camera:** for awareness and alert driven images
  - 640 x 480-pixel daylight images (optional)
- **Radar:** K Band (24.15 GHz), FCC certified, no license required, +/-1 mph (+/- 2 kph) accuracy, 11-degree (0.19 rad) square pickup area, 5-105 mph (5-169 kph)
- **Range:** 1200+ ft. (365+ m)
- Meets Federal Department of Transportation MUTCD Specifications

## Sign Modes

- **Speed Display:** Displays approaching vehicle's speed

## Configuration

### **On-Board Programming (Standard on all signs):**

- Set speed limit
- Set display mode

## ATS PC Sign Manager Local Communication

### **(PC control/USB connection: Standard on all signs)**

- PC based client software
- Connect to sign via USB or Bluetooth (optional)



### **ATS Android App Local Communication (Optional):**

- Android OS wireless Bluetooth control local to sign
- Android device can be smartphone or tablet with Bluetooth

### **Local Communication Features:**

- Create and change modes and settings
- Local data retrieval and management
- Local image retrieval and management from internal camera
- Manage all sign settings
- All traffic data can be saved for online management and backup
  - Retrieve data and save to TrafficCloud cloud-based portal, generate limited reports online from hosted data

## Speed Programming

- Configure the following parameters via ATS PC Sign Manager, ATS Android App or TrafficCloud cloud-based portal (optional):
  - Speed limit
  - Maximum speed displayed
  - Display on/off/specific mph activation
  - Violator Alert on/off/specific mph activation
  - Radar sensitivity (range)
- Speed limit sign operation
  - Change speed limit up to six times per day



Shield 12



Shield 15

Optional white compact 'YOUR SPEED' sign and optional violater alert

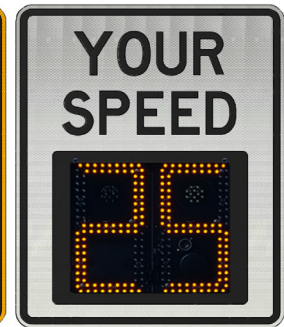
- o Sign flashes when car passing over speed limit, blanks when car over maximum speed displayed

## Construction

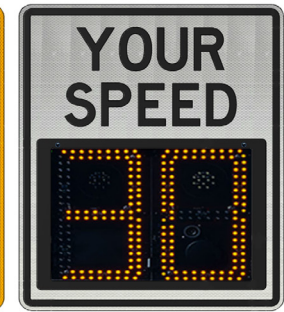
- Compact 'YOUR SPEED' sign
  - o **Shield 12 Dimensions:** 13.50 in. high x 15.50 in. wide (34.29 cm high x 39.37 cm wide)
  - o **Shield 15 Dimensions:** 8 in. high x 24 in. wide (20.32 cm high x 60.96 cm wide)
  - o High-intensity yellow prismatic reflective background
  - o Sign stores for compact storage and protects sign face, thumbscrews and tamper-proof hardware included
  - o Meets MUTCD standard 'D' font and yellow color
  - o Optional white color available
- **LED Pixels:** Amber 595 nm, 30-degree (0.52 rad) viewing angle, 100,000 hours, black background, (MUTCD compliant)
- ¼ in. (0.64 cm) tinted, non-glare, UV stabilized polycarbonate face
- Entire face removable for service



Shield 12



Shield 15



Optional full-size 'YOUR SPEED' sign wraps

- Aluminium chassis, 14 ga., white powder coat finish, black powder coat front for maximum contrast for digit visibility
- Protective polycarbonate corners also provide guide for 'YOUR SPEED' sign storage
- Conformal coating on all circuit boards
- Integral handle
- Tamper-resistant mounting hardware pocket, hardware secured behind enclosure lock
- **Weather Resistance:**
  - o Weatherproof, sealed electronics compartment
  - o Drip-proof, two vented battery compartments
  - o -40F to 160F (-40C to 71C) operating temperature range, 95% humidity non-condensing
  - o -20F (-29C) for Bluetooth communication, 5F (-15C) for internal camera

## Shield Power

- **Power Input, Max:**
  - o **Shield 12:** 12 VDC, 1.1A, 15W

- **Shield 15:** 12 VDC, 1.5A, 20W
- Power saving circuitry and automatic dimming for ambient light conditions, with adjustable dimming range and manual display brightness override
- All Shield units can be powered interchangeably with any of the following power options; unit can be outfitted to be powered by multiple sources selected in the field.
- Capacity for two batteries in unit for extended portable use
  - 10.2Ah Lithium LFP battery with built-in short circuit and reverse polarity protection circuitry, 1.5A 12.8VDC output, 120VAC input automatic charger; capacity for up to two batteries in unit for extended portable use
  - **Solar Panel Assist:** 50W or 90W solar panel and bracket, solar controller panel with 18Ah or 26Ah lead acid battery, 6A 120VAC automatic charger optional
  - 100–220VAC AC power supply (6A 12VDC)
- **Shield 15 Only:**
  - 16Ah Li-Ion LFP battery, for longer unattended portable use, capacity for up to two batteries in unit for extended portable use
- **Shield 15 on Trailer:**
  - 90W solar panel with integrated solar sign
  - Trailer batteries – 100 or 235Ah, solar option. Auto recovery with solar for low battery

## Standard System Components

- Shield Radar Speed Sign
- Tamper-resistant mounting plate and hardware
- Key
- ATS PC Sign Manger software with USB cable

## Optional Components and Features

- Full-size 'YOUR SPEED' sign wrap
  - **Shield 12 Dimensions:** 24 in. high x 30 in. wide (60.96 cm high x 76.20 cm wide)
  - **Shield 15 Dimensions:** 30 in. high x 36 in. wide (76.20 cm high x 91.44 cm wide)
  - Available in white and yellow
  - Meets MUTCD standard 'D' font

- TrafficCloud cloud-based portal
- Padded carrying case
- Extra mounting brackets
- Violator alert, LED flash to alert violators
  - Available in white, blue, or red
- **Metric display:**
  - **Shield 12:** Two-digit KPH display
  - **Shield 15:** Three-digit KPH display
- Fully compatible with Speed Dependent Messaging option when used with an InstAlert Variable Message Sign – see Speed Dependent Message System section

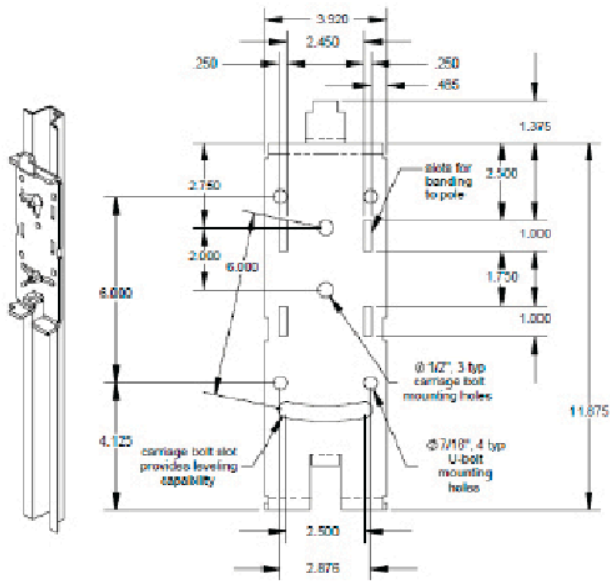
## Shield Mounting Options

- Pole mount standard with included bracket, hardware
  - NCHRP 350 approved on 4 in. (10.16 cm) aluminium pole (SS-135)
- **Vehicle Hitch Mount**
  - Mounts 30 in. (76.20 cm) to bottom of sign from receiver tube (final height dependent on receiver height)
  - Fits 1 ¼ in. (3.18 cm) or 2 in. (5.08 cm) receiver, adapter included, ½ in. (1.27 cm) hitch pin
- Locking rotation adjustment on 15-degree (0.26 rad) increments over 180-degrees (3.14 rad), +/- 5-degrees (+/- 0.09 rad) tilt
  - White powder coat finish
  - 24 in. x 30 in. (60.96 cm x 76.20 cm) speed limit sign and digits included for 5-65 mph (8-105 kph) speed limit signs
- **Standard Folding Portable Post:**
  - Folds for easy storage and portability
  - **Shield 12:** 60 in. (152.40 cm) to bottom, 73 in. (185.42 cm) to top, add 13 in. (33.02 cm) for upper leg position
  - **Shield 15:** 60 in. (152.40 cm) to bottom, 77 in. (195.58 cm) to top, add 13 in. (33.02 cm) for upper leg position

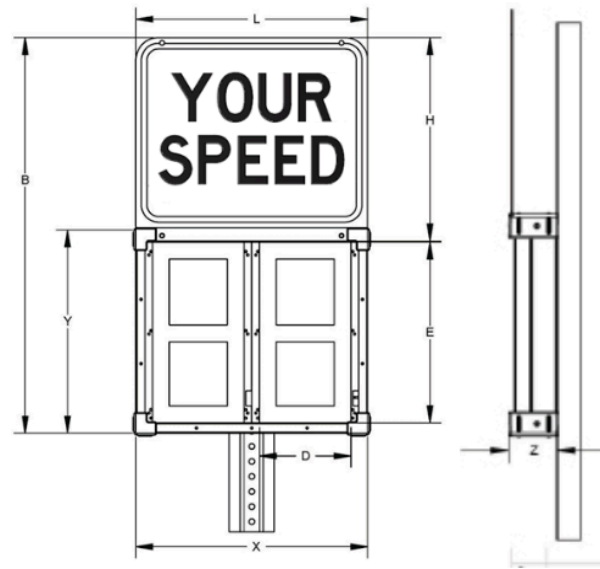
## Premier Care Warranty

- One year warranty (three months on batteries)

### Shield 12 and 15 Mounting Bracket

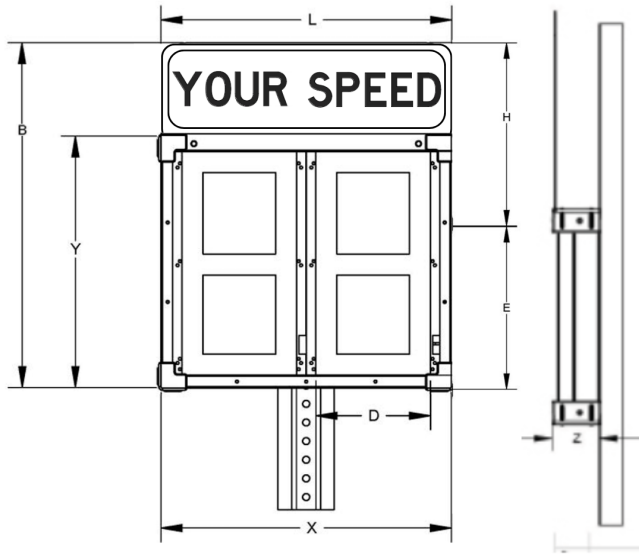


### Shield 12 Dimensions



Dim	X	Y	Z	B	D	E	L	H
in.	13.5	15.5	3.12	26.3	5.75	12	13.5	15.5
cm	34.3	39.4	7.92	66.8	14.6	30.5	34.3	39.4

### Shield 15 Dimensions



Dim	X	Y	Z	B	D	E	L	H
in.	17	24	3.12	24.3	8	15	17	8
cm	43.2	61	7.92	61.7	20.3	38.1	43.2	20.3

For more information visit us online at [AllTrafficSolutions.com](http://AllTrafficSolutions.com)

[sales@alltrafficsolutions.com](mailto:sales@alltrafficsolutions.com)

Call us at 866.366.6602

All Traffic Solutions. 14201 Sullyfield Circle, Suite 300, Chantilly, VA 20151

©All Traffic Solutions TraffCloud leverages our patented technology (US Patents 8417442; 8755990; 9070287; 9411893) to deliver unique cloud-based management, features and functionality. TraffCloud is a registered trademark of All Traffic Solutions.

