



# 380 SURVEILLANCE-READY TRAILER

## Product Description

The surveillance-ready trailer enhances safety and security by enabling the rapid deployment of surveillance cameras and radar speed and message signs. Equipped with an extendable telescoping mast, it provides excellent visibility and supports a wide range of cameras\*. Designed for mobility, the trailer can be easily moved to different locations and powered by integrated solar and battery systems, ensuring continuous operation in any environment.

- 380 Trailer
- Compatible sign of choice
- Telescoping mast
- Equipment mounting assembly: removable and universal to support third-party surveillance equipment

## Trailer Technical Specifications

The trailer is compatible, interchangeably, with the following signage:

- SpeedAlert 18 or 24 (SA18 or SA24) Radar Message Sign
- InstAlert 18 or 24 (IA18 or IA24) Variable Message Sign
- Shield 15 (Sh15) Radar Speed Sign
- **Ground clearance:** 5 ft. (1.52 m) to bottom of the sign
- Meet Federal Department of Transportation MUTCD specifications

## Features

- **Trailer weight:** 1,224 lb. (555.20 kg) with 900Ah/12V battery capacity (including telescoping mast)
- **Tongue weight:** 96 lb. (43.55 kg)
- **Dimensions:** 61.50 in. long x 62.50 in. wide x 66.50 in. high (156.21 cm long x 158.75 cm wide x 168.91 cm high), (stowed)
- Simple manual lever with lift-assist system for



*\*Surveillance cameras must be purchased separately from a third-party vendor and cannot be managed remotely via TrafiCloud*

one-person set-up

- Removable tongue for 2 in. (5.08 cm) ball, lockable
- Storage for tongue and lift bar in locked battery compartment
- 16 ga. steel locking battery compartment with vented battery chamber, charger and accessories chamber and 1/8 in. (0.32 cm) aluminium diamond plate lid
- Continuous-weld steel frame, white marine-grade powder coat finish
- Additional locking battery box for expanded battery capacity, includes third-party equipment area
- **Wheels:** 12 in. (30.48 cm) bolt steel rims with 4.5 in. (11.43 cm) bolt circle
- Replaceable steel fenders, weight supporting
- Locking wheel lug bolts, one per wheel, with removal tool
- **Axle:** 2,000 lb. (907.18 kg) leaf spring
- **Ground clearance:** 9.75 in. (24.77 cm) under axle,

19 in. (48.26 cm) under chassis

- **Jacks:** Four, retractable crank-type, fully adjustable at each corner, 1,500 lb. (680.39 kg) capacity each
- Recessed tail lights and DoT-approved lighting
- Safety chains, 23 in. (58.42 cm) with hooks
- DoT-approved red and white reflective tape
- License plate holder with light

## Trailer Power

- Trailer power ideal for up to 50W solutions to achieve continuous and uninterrupted solar/battery power autonomy
  - Time of year, location and sign usage will affect run times
- PoE++ Injector included and installed
- Dual 12VDC switches to independently control power to sign and surveillance equipment
  - Power switches conveniently located inside locking main battery box
  - Surveillance cord includes always on 12V, switched 12V, and ground wires for PoE injector and optional equipment
- Armored (vandal resistant) Cat6a ethernet cable
- Standard four-way flat connector for DoT lights
- Maintenance-free 900Ah batteries, two 6VDC batteries in series, deep cycle marine
  - 130 lb. (58.97 kg) per pair, four pairs
- 40A time-delay fuse on battery supply
- 380W solar assist with 30A MPPT solar controller with low-voltage disconnect to prevent overcharging and over-discharging
- Solar panels charge while sign stowed or deployed
- 40A 120VAC automatic charger with externally accessible AC connection
- Independent switches to control power to the sign and add-on third-party equipment separately

## Telescoping Mast Technical Specifications

**Telescoping mast:** to support a surveillance camera (camera not included)

## Features

- Lightweight and portable
- High payload capacity
- High wind tolerance
- Six extensible sections
- **Mast weight:** 24 lb. (10.89 kg)
- **Mast height:** adjustable up to 22 ft. (6.71 m) high
  - 59.1 in. (150.11 cm) high collapsed (when removed for storage and transport),
- Pneumatic mast deployment requires no electricity
- Travel duffel included
- **Payload capacity:** 44 lb. (19.96 kg)

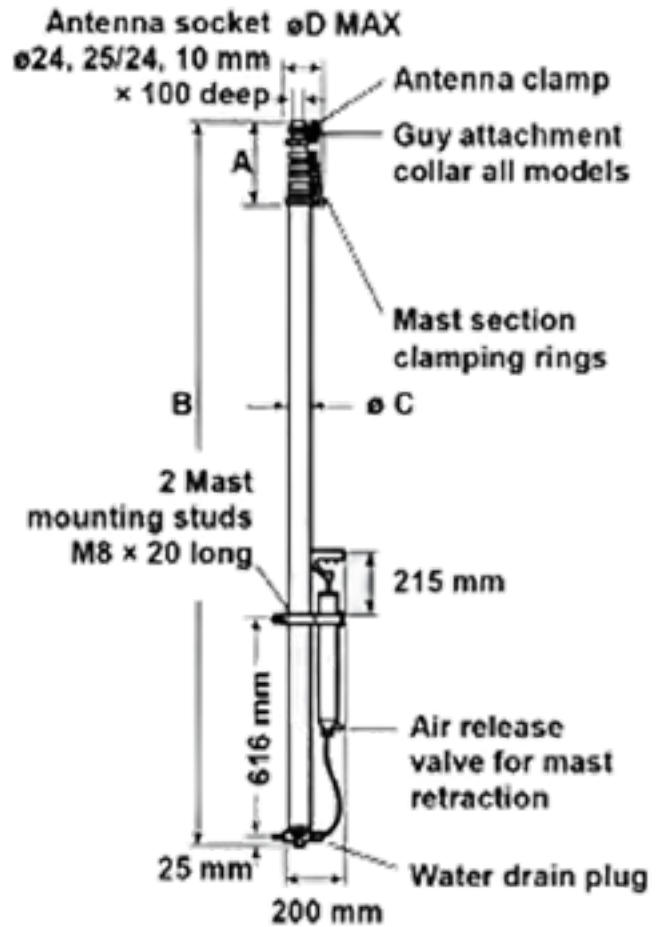
## Optional Components and Features

- Speed Limit sign with interchangeable digits for 5-65 mph (8-105 kph); extra digit storage in battery compartment
  - Seven digit available for use on 70 mph (113 kph) roads
- Red-and-blue violator strobe light bar, set to flash above user-set speed with signage
- 2 5/16 in. (5.87 cm) ball coupler or pintle hook, adjustable height, on removable tongue
- Orange and other custom colors available (minimum order quantity)
- Tamper alarm with adjustable sensitivity
- Wheel-lock bar

## Warranty

One year warranty (three months on batteries)

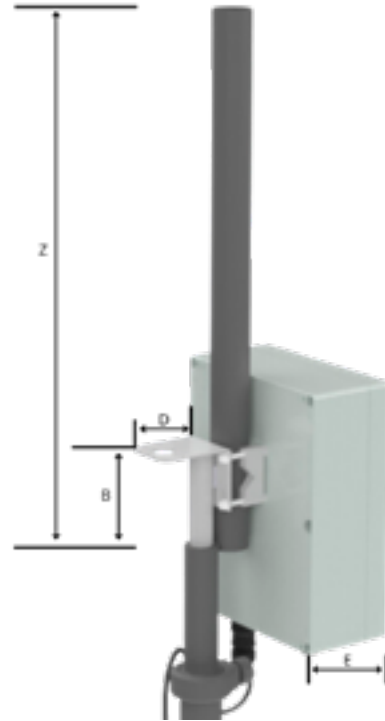
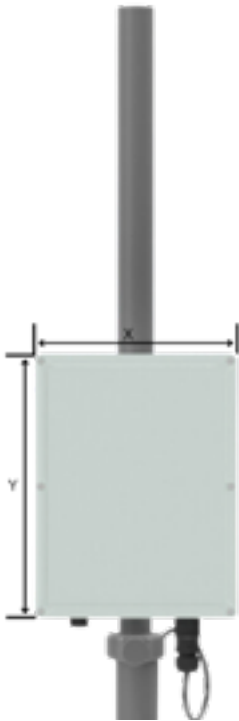
## Telescoping Mast Dimensions



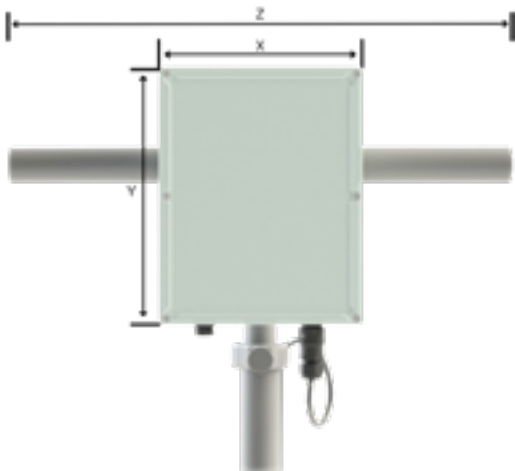
Dim	A - Collar stack (height)	B - Stowed height	C - Base tube (diameter)	D - Max collar	Top Section
	9.9 in. (25 cm)	59.1 in. (1.5 m)	3.5 in. (8.9 cm)	5.6 in. (14 cm)	2.25 in. (5.7 cm)

## Equipment Mounting Assembly Dimensions

Vertical configuration



Horizontal configuration



Dim	X	Y	Z	B	D	E
	9.1 in. (23.1 cm)	11.9 in. (30.2 cm)	24 in. (60.7 cm)	6.5 in. (16.5 cm)	3.6 in. (9.1 cm)	4.3 in. (10.9 cm)

For more information visit us online at [AllTrafficSolutions.com](http://AllTrafficSolutions.com)

[sales@alltrafficsolutions.com](mailto:sales@alltrafficsolutions.com) Call us at 866.366.6602

All Traffic Solutions. 14201 Sullyfield Circle, Suite 300, Chantilly, VA 20151

